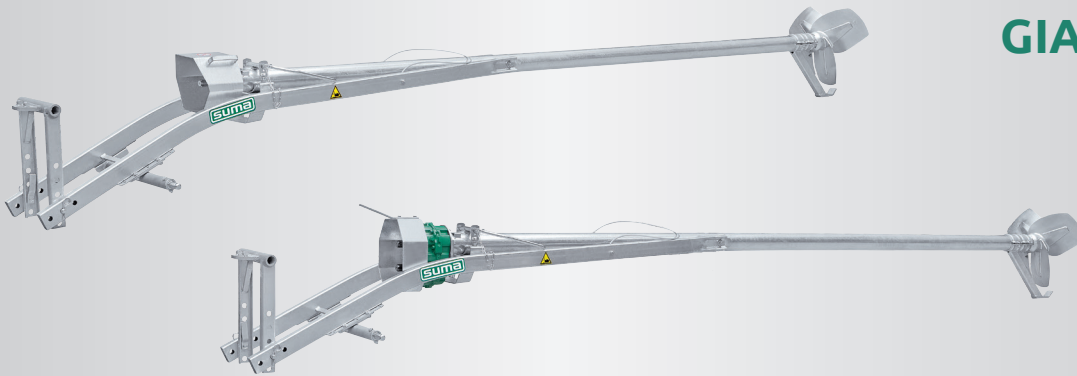


## GIANTMIX Z3



### Application

Long-axis agitator for stirring in open and closed tanks  
For tractor use

### Technical data

Tube length 3.5 / 4.0 / 4.5 / 5.0 / 5.5 m  
Complete agitator size 4.6 / 5.1 / 5.6 / 6.1 / 6.6 m  
Attachment at lower control arm with jaw  
Agitator completely modular designed  
Optional reverse gear for two rotational directions

### Bearing (drive train)

Standard design with drive train HY for one rotation direction  
Power-take off connection 1-3/8" (6-chock)  
Bearing head as own modular unit  
Lubrication by oil bath in the agitator tube  
Optional reversing gear for two rotational directions

### Bearing (propeller)

2 tapered roller bearings to absorb the axial forces Sealing with shaft sealing rings, optional, mechanical sealing SiC/SiC

### Agitator and drive shaft

Tube Ø 100 x 3 mm galvanized  
Drive shaft Ø 50 mm with multiple interim bearing and with both sided slip-on connection  
Tube ist filled with special oil ISO VG68, approx. 40 %

### Propeller

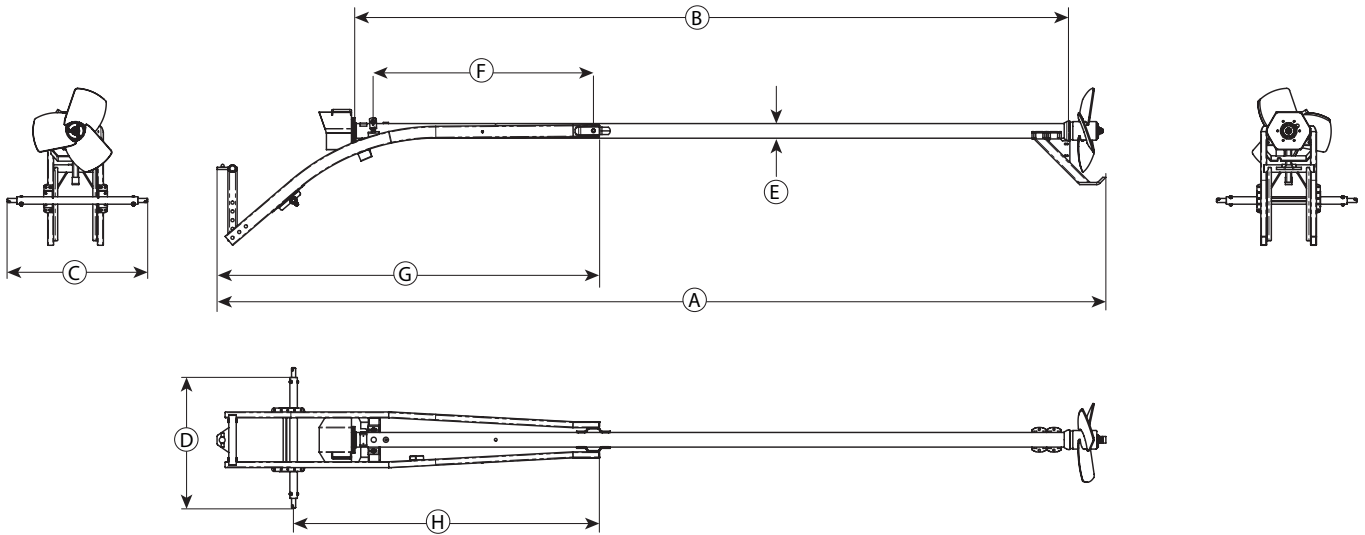
3-blade high efficiency propeller,  
dynamically balanced  
Propeller-size depends on tractor power  
Propeller:

D/S 480 mm	44 kW	(60 PS)
D/S 520 mm	60 kW	(82 PS)
D/S 560 mm	72 kW	(98 PS)
HD 580 mm	88 kW	(120 PS)

galvanized, hardened steel or ss304

### Accessories

Cardan shaft W 2,400 (L = 860),  
One-sided wide-angle PTO WWE 2,480 (L = 860)



## Dimensions

Type	A [mm]	B [mm]	C [mm]	D [mm]	E [mm]	F [mm]	G [mm]	H [mm]	Weight [kg]			
Z3 (3.5m)	4,600	3,500	960	824	Ø 100	1,000	2,180	1,660	153			
Z3 (4.0 m)	5,100	4,000	960	824	Ø 100	1,250	2,180	1,660	157			
Z3 (4.5 m)	5,600	4,500	960	824	Ø 100	1,500	2,615	2,090	162			
Z3 (5.0 m)	6,100	5,000	960	824	Ø 100	1,500	2,615	2,090	168			
Z3 (5.5 m)	6,600	5,500	960	824	Ø 100	2,000	2,615	2,090	175			

Subject to technical changes