

REKORDMIX B1

B1 40-950




Application

Dry matter content up to 10 %
Substrate temperature up to 70°C
pH-values 6.5 - 8.2

Technical data

Tube length 3.75 / 4.25 m
Safety ring
Oil equalizing container for monitoring the tightness
Sound pressure level 72 dB(A)
Agitator completely manufactured in modular design

Motor

Power: 4.0 kW
400 V, 50 Hz, 950 rpm
PTC thermistors 160°C for overheat protection
Ex-Motor  II 3G Ex nA IIA T3 Gc (ex-zone 2)

Bearing

2 tapered roller bearings to absorb the axial forces
Mechanical seal in SiC/SiC,
- independent of rotation direction
Interim bearings for the drive shaft



Tube

Tube Ø 70 x 3 mm in ss304
Stub shaft Ø 20 mm with intermediate bearings and both sided plug-connection
Tube is completely filled with sealing oil ISO VG68

Propeller

2-bladed propeller with safety ring
B1: 4.0 kW | propeller L4 (320 mm) | 945 rpm
Optional galvanized and ss304

Ex-zone

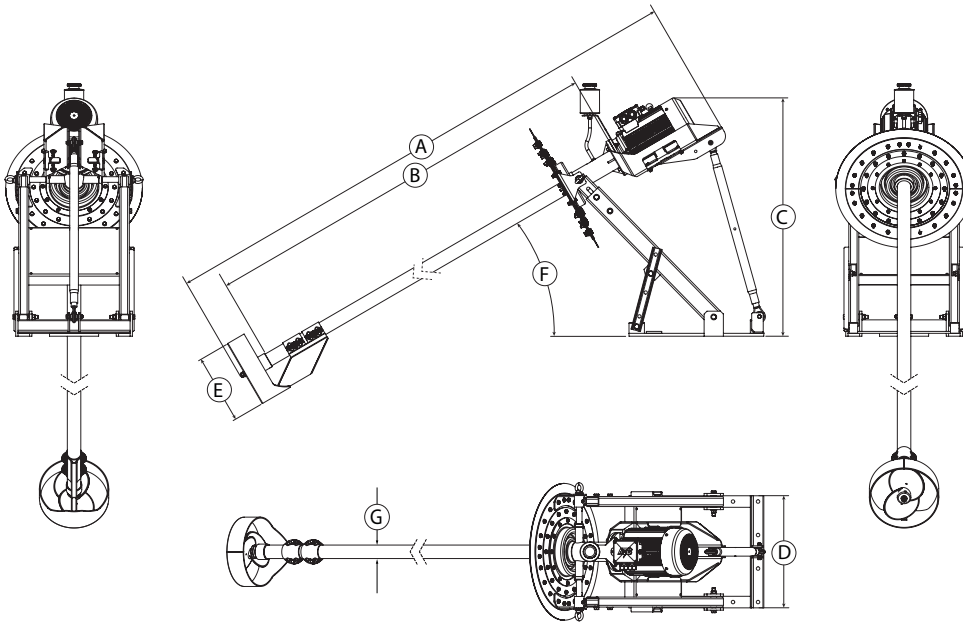
Ex-zone 2 (outside the tank) and zone 1 (inside the tank)
Classification mechanical components
  II 2G ck IIA T3

Control box (optional)

Soft start - frequency converter
Delivery without connecting cable

REKORDMIX B1

B1 40-950



Dimensions

| Type | A [mm] | B [mm] | C [mm] | D [mm] | E [mm] | F | G [Ø in mm] | | |
|------|---------------|---------------|--------|--------|--------|-----|-------------|--|--|
| B1 | 4,400 / 4.900 | 3,700 / 4,200 | 1,235 | 725 | 355 | 30° | 70 | | |

Technical data

| Type | Rated Power [kW] | Rated Voltage [V] | Rated Current [A] | Frequency [Hz] | Power Factor cos φ | Propeller speed [rpm] | Propeller diameter [mm] | Axial force [kN] | Flow velocity [m/s] * | Pumping rate Water [m ³ /min] | Weight approximate [kg] | |
|------|------------------|-------------------|-------------------|----------------|--------------------|-----------------------|-------------------------|------------------|-----------------------|--|-------------------------|--|
| B1 | 4.0 | 400 | 9.8 | 50 | 0.72 | 945 | 320 | 0.6 | 4.0 | 18 | 205 | |

Subject to technical changes
 * measured in water and 1.2 m distance