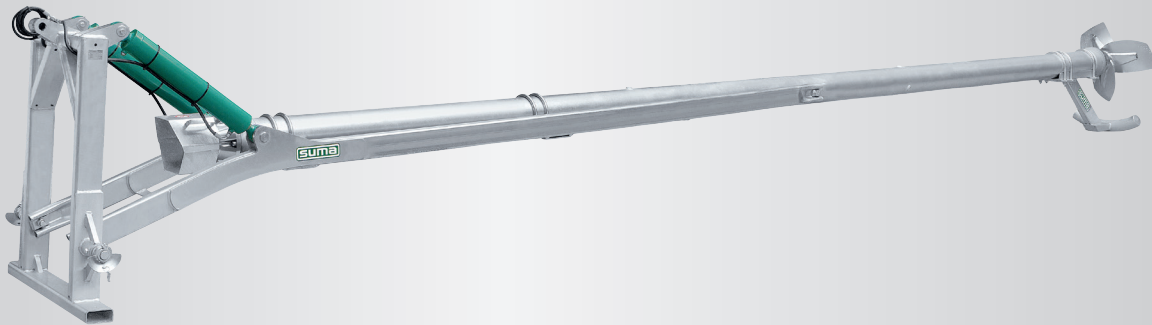


GIANTMIX Z6



Application

Long-axis agitator for agitation in open tanks and lagoons up to 7 m depth
For tractor use

Technical data

Tube length 7.5 / 9.0 m
Full agitator length 8.9 / 10.4
Three-point-frame (cat. 3) with 2 hydraulic cylinders for vertical adjustment, max. 45°
Agitator completely modular designed
Support out of rounded tubular profil

Bearings (drive side)

Standard design with drive train HY for one rotation direction
Power-take-off (PTO) connection 1-3/4" (6-chock)
Bearing head as own modular unit

Bearings (propeller side)

2 tapered roller bearings (Type 30312) to absorb the axial forces
Propeller shaft Ø 60 mm (hardened)
Sealing with mechanical seal SiC/SiC
Bearing head with own oil circulation

Agitator tube and drive shaft

Agitator tube Ø 193.7 x 6.3 mm galvanized
Drive shaft Ø 70 mm with multiple interim bearing
Interim bearing package with ball bearing, permanently lubricated

Propeller

3-blade high efficiency propeller, dynamically balanced

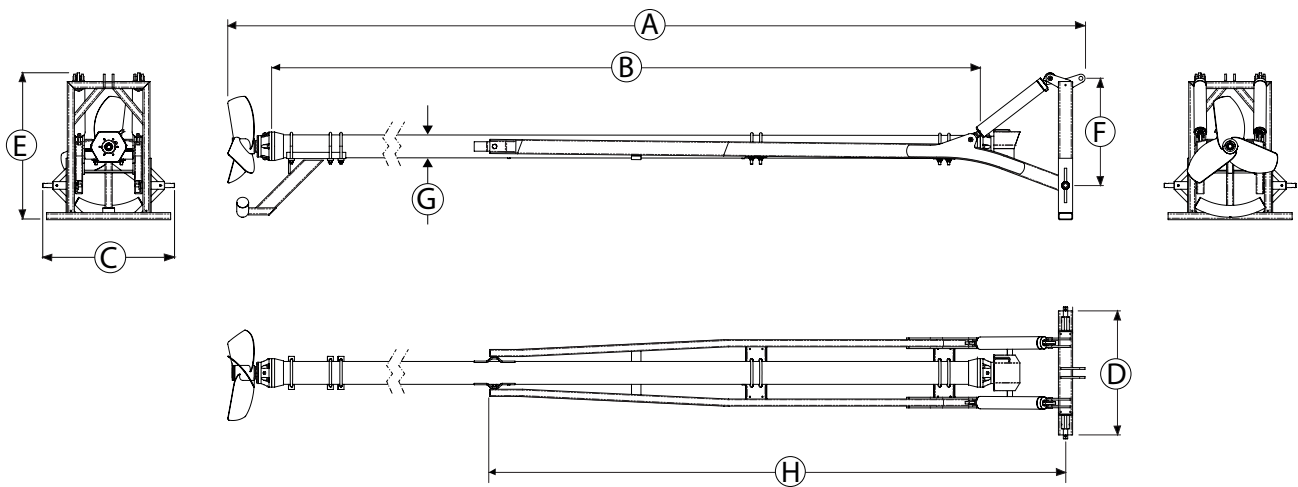
min. 218 HP (160 kW)	750 rpm	Propeller MS 780
	1,000 rpm	Propeller MS 700
min. 230 HP (170 kW)	750 rpm	Propeller MS 850
	1,000 rpm	Propeller MS 720
min. 270 HP (200 kW)	1,000 rpm	Propeller MS 850

Galvanized, optional hardened steel

Accessories

Power-take-off shaft W2600 (L = 1.210) 1-3/4" (6-chock)

RÜHRGIGANT Z6



Dimensions

Type	A [mm]	B [mm]	C [mm]	D [mm]	E [mm]	F [mm]	G [ø in mm]	H [mm]	Weight [kg]
Z6 (7.5 m)	8,900	7,500	1,115	945	1,245	907	193.7	4,900	850
Z6 (9.0 m)	10,400	9,000	1,115	945	1,245	907	193.7	4,900	960

Technical Data

Type	Required tractor power [HP]	Propeller speed [rpm]	Propeller diameter [mm]	Axial force [kN] *	Flow velocity [m/s] *	Pumping rate water [m ³ /min]				
Z6 HYU	218	750	780	15.0	6.7	187				
Z6 HYU	218	1,000	700	17.5	7.7	172				
Z6 HYU	230	750	850	18.0	6.7	223				
Z6 HYU	230	1,000	720	20.0	7.7	182				
Z6 HYU	270	1,000	850	26.0	7.7	256				

Subject to technical changes

* Calculated via CFD simulation and validated in test basin with water

As per: 2020-09