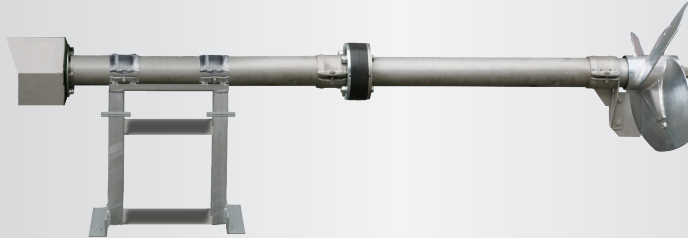


GIANTMIX Z3 HY STATIONARY



Application

Stationary long-axis agitator
 Dry matter content up to 12 %
 Substrate temperature up to 70°C
 pH-value 6.5 - 8.2

Technical Data

Tube length 2.0 / 2.5 m
 Agitator tube Ø 100 x 3.0, galvanized
 ss304 version on request
 Installation up to 8 m below substrate level,
 other immersion depths on request
 Power take-off with protection for tractor operation
 Agitator completely modular designed
 POM protection to minimize abrasion
 Optional rubber compression seal Ø 200 mm (EPDM)
 Optional oil equalizing container for monitoring the
 tightness

Bearing (drive side)

Standard design with drive train HY for one rotation
 direction
 Power take off connection (PTO) 1-3/8" (6-chock)
 Bearing head as own modular unit

Bearings (propeller side)

2 tapered roller bearings to absorb the axial forces
 Mechanical seal SiC/SiC independent of rotation direction
 Interim bearings for the drive shaft (slide bearings)

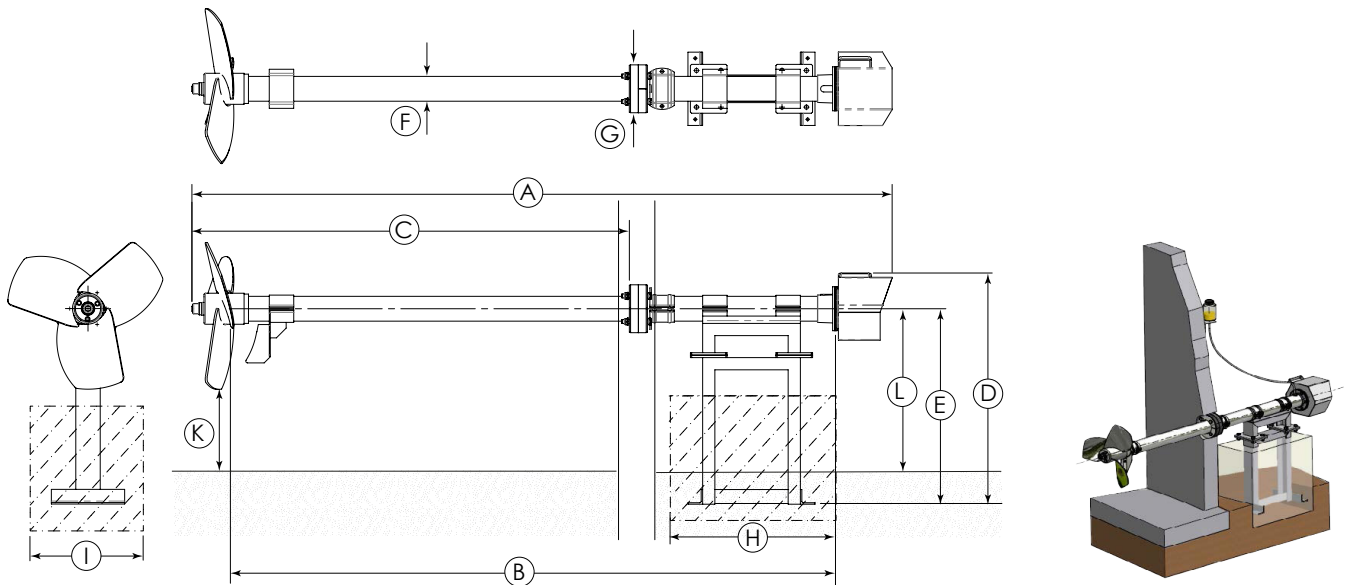
Propeller

3-blade high efficiency propeller, dynamically balanced

min. 80 HP (60 kW)	540 rpm	Propeller HD+ 620
	750 rpm	Propeller HD+ 560
min. 100 HP (72 kW)	540 rpm	Propeller HD+ 660
	750 rpm	Propeller HD+ 580
min. 120 HP (88 kW)	540 rpm	Propeller HD+ 700
	750 rpm	Propeller HD+ 620

Galvanized, optional hardend steel

GIANTMIX Z3 HY STATIONARY



Abmessungen

Typ	A [m]	B [m]	C [m]	D [mm]	E [mm]	F [mm]	G [mm]	H [mm]	I [mm]	K [mm]	L [mm]
Z3 HY stationary	2.4 / 2.9	2.0 / 2.5	1.1 / 1.6	950	800	101.6	200	800	500	min. 300	700

Technical Data

Type	Required tractor power [HP]	Propeller speed [rpm]	Propeller diameter [mm]	Axial force [kN] *	Flow velocity [m/s] *	Pumping rate water [m ³ /min]	Weight [kg]				
Z3 HY stationary	80	540	620	5.0	5.0	87	250				
Z3 HY stationary	80	750	560	6.7	6.3	88	250				
Z3 HY stationary	100	540	660	6.0	5.0	99	250				
Z3 HY stationary	100	750	580	7.2	6.3	95	250				
Z3 HY stationary	120	540	700	7.1	5.3	118	250				
Z3 HY stationary	120	750	620	8.4	6.4	111	250				

Subject to technical changes

* Calculated via CFD simulation and validated in test basin with water

As per: 2022-02

© SUMA Rührtechnik GmbH | Martinszeller Str. 21 | DE-87477 Sulzberg
Phone: +49 8376 / 92131 - 0 | Fax: - 19 | info@suma.de | www.suma.de /en