



GIANTMIX FT

FT1 75-200
FT3 110-275
FT4 150-275
FT4 150-400
FT5 185-275
FT5 185-400
FT6 220-400



Application

Dry matter content up to 14 %
 Substrate temperature up to 70°C
 pH-value 6.5 - 8.2

Technical Data

Tube length 4.0 / 5.0 / 5.5 / 6.0 m
 Tube Ø 159 x 5 mm, ss304 inclusive robust tube within tube technology
 Sealing plate 120 x 120 cm (143 x 143), ss304 ss316 on request
 Sound pressure level 75 dB(A)
 Sealing membranes of EPDM60
 Installation up to 8 m below substrate level, other immersion depths on request
 Oil inspection glass for monitoring the tightness
 Agitator completely manufactured in modular design
 Option: power take-off with protection for alternative operation with tractor (max. HD+ 700)
 POM protection to minimize abrasion

Motor

7.5 kW : 8-poles
 11.0 / 15.0 / 18.5 / 22.0 kW : 4-poles (IE3 - motor)
 400 V, 50 Hz, special voltages on request
 PTC thermistors 160°C (overheat protection)
 Ex-Motor  II 3G Ex nA IIA T3 Gc
 Special design 13.5 kW:  II 2G Ex eb IIA T3 Gb
 Option: rain protection hood (ss304)

Gear

Planetary gear, helical teeth, low noise level
 Reduction ratio $i = 3.69$ or 5.31
 Own oil circuit gear oil SAE85W-140 / API GL-5
 Oil change all 2,000 operating hours

Bearing

2 tapered roller bearing to absorb the axial forces
 Mechanical seals SiC/SiC, independent of rotation direction
 Interim bearings for the drive shaft (slide bearings)

Propeller

3-blade high efficiency propeller, dynamically balanced



FT1:	7.5 kW	200 rpm	Propeller HD+ 850
FT3:	11.0 kW	275 rpm	Propeller HD+ 800
FT4:	15.0 kW	275 rpm	Propeller HD+ 850
FT4:	15.0 kW	400 rpm	Propeller HD+ 660
FT5:	18.5 kW	275 rpm	Propeller HD+ 880
FT5:	18.5 kW	400 rpm	Propeller HD+ 700
FT6:	22.0 kW	400 rpm	Propeller HD+ 750

ss304, ss316 or hardened steel

Adjustment range

Lateral adjustment $\pm 30^\circ$ through handspindle
 Tilt adjustment up to $\pm 30^\circ$ through hydraulic cylinder
 Tank openings: 800 x 800 mm (plate 120 cm)
 1,000 x 1,000 mm (plate 143 cm)

Ex-Zone

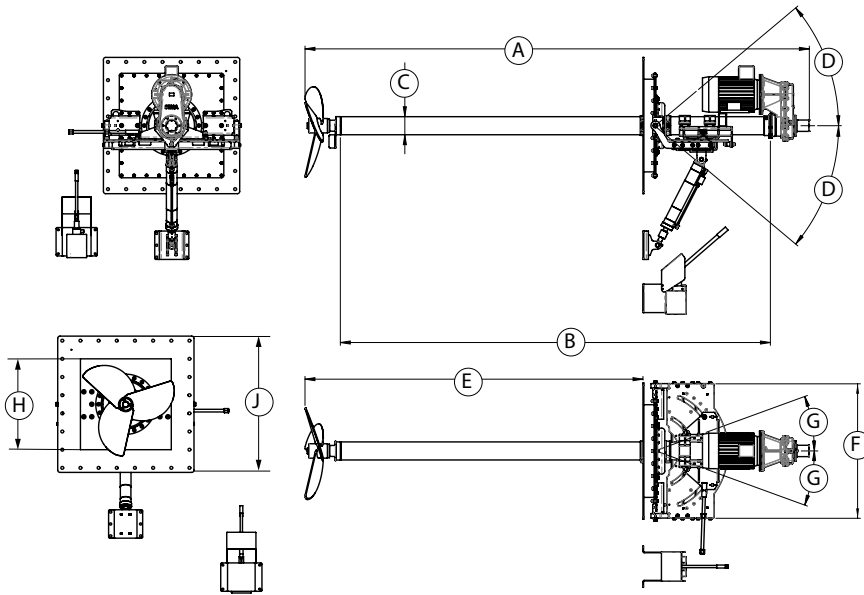
Ex-Zone 2 (outside tank) and Zone 1 (inside tank)
 Special design FT4 13.5 kW for Zone 1 (outside)
 Classification mechanical components:
  II 2G Ex h IIA T3 Gb

Control switch (optional)

Soft start or frequency converter
 Delivery without connecting cable

GIANTMIX FT

- FT1 75-200
- FT3 110-275
- FT4 150-275
- FT4 150-400
- FT5 185-275
- FT5 185-400
- FT6 220-400



Dimensions

Type	A [m]	B [m]	C [mm]	D	E [m]	F [m]	G	H [m]	J [m]
FT 1-6	4.5 / 5.5 6.0 / 6.5	4.0 / 5.0 5.5 / 6.0	∅ 159	max. ± 30°	3.0 / 4.0 4.5 / 5.0	1.23	± 30°	0.8 / 1.0	1.2 / 1.43

Technical data

Type	Rated Power [kW]	Propeller speed [rpm]	Rated Voltage [V]	Rated current [A]	Frequency [Hz]	Power factor cos φ	Gear reduction ratio	Propeller diameter [mm]	Axial force [kN]	Flow velocity [m/s] *	Pumping rate water [m ³ /min]	Weight approximate [kg]
FT1	7.5	200	400	18.0	50	0.70	3.69	850	2.0	2.6	85	850
FT3	11.0	275	400	19.6	50	0.88	5.31	800	2.9	3.2	95	850
FT4	15.0	275	400	27.7	50	0.85	5.31	850	4.1	3.6	119	850
FT4	15.0	400	400	27.7	50	0.85	3.69	660	3.3	4.3	84	850
FT5	18.5	275	400	33.7	50	0.85	5.31	880	4.4	3.7	132	850
FT5	18.5	400	400	33.7	50	0.85	3.69	700	3.9	4.3	94	850
FT6	22.0	400	400	40.5	50	0.84	3.69	750	4.5	4.5	115	850

Subject to technical changes

* measured in water and 1.2 m distance

As per: 2020-06

© SUMA Rührtechnik GmbH | Martinszeller Str. 21 | DE-87477 Sulzberg
Phone: +49 8376 / 92131 - 0 | Fax: - 19 | info@suma.de | www.suma.de/en