

GIANTMIX BG2

BG2 40-180

BG2 40-250

BG2 75-280

BG2 75-380

BG2 100-280

BG2 100-380




Application

Long-axis agitator for lagoons
 Dry matter content up to 12 %
 Substrate temperature up to 70°C
 pH-values 6.5 - 8.2

Technical data

Tube length 4.0 / 5.0 m
 Foil clamp unit, Ø 750 mm in ss304 for BG2 100-380
 Sound pressure level 75 dB(A)
 Oil inspection glass for monitoring the tightness

Motor

Power: 4 kW (6-poles, 945 rpm) / 7,5 kW (1.460 rpm) /
 10 kW (1.430 rpm)
 400 V, 50 Hz
 PTC thermistors as overheat protection
 Ex-Motor  II 3G Ex nA IIA T3 Gc (Ex-zone 2)

Gear

Planetary gear, helical cut, low noise
 Reduction $i = 3.83$ or 5.25
 Separate oil chamber, gear oil Blasias SX 320
 Oil change interval: 10,000 operating hours

Tube

Tube Ø 101.6 x 5.74 mm in ss304, ss316 on request
 Stub shaft Ø 50 mm with multiple idler bearings and both
 sided plug-connection

Propeller

3-bladed, dynamically balanced propeller



BG2 40-180	4.0 kW	Propeller HD+ 700	180 rpm
BG2 40-250	4.0 kW	Propeller HD+ 620	250 rpm
BG2 75-280	7.5 kW	Propeller HD+ 700	280 rpm
BG2 75-380	7.5 kW	Propeller HD+ 520	380 rpm
BG2 100-280	10.0 kW	Propeller HD+ 750	280 rpm
BG2 100-380	10.0 kW	Propeller HD+ 580	380 rpm

Galvanized, hardened steel and ss304

Bearing

2 tapered roller bearings to absorb the axial forces
 Mechanical seal SiC/SiC, independent of rotation direction
 Idler bearings in drive shaft

Ex-zone

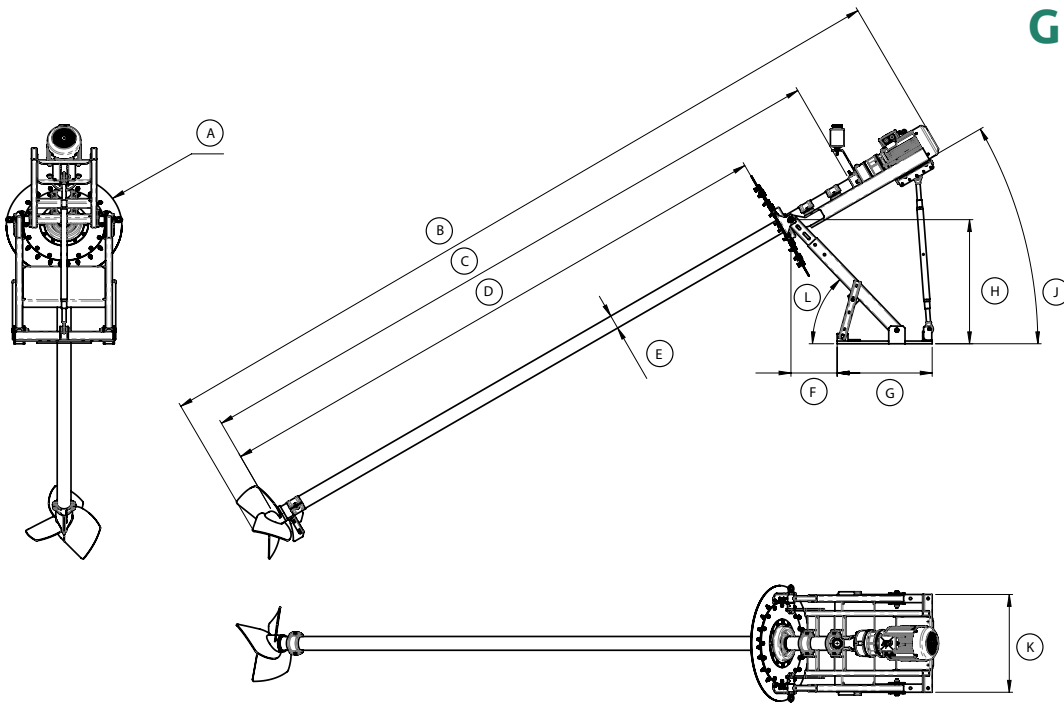
Ex-zone 2 (outside the tank)
 and zone 1 (inside the tank)
 Classification mechanical components
  II 2G Ex h IIA T3 Gb

Control box (optional)

Star-delta switch, soft start or frequency converter
 Delivery without connecting cable

GIANTMIX BG2

- BG2 40-180**
- BG2 40-250**
- BG2 75-280**
- BG2 75-380**
- BG2 100-280**
- BG2 100-380**



Dimensions

Type	A [mm]	B [mm]	C [mm]	D [mm]	E [mm]	F [mm]	G [mm]	H [mm]	J [°]	K [mm]	L [°]
BG2 100-280	750	5,700	5,000	4,400	101.6	175-430	700	600 - 1,200	0° - 30°	720	30° 62°

Technische Daten

Typ	Rated power [kW]	Rated Voltage [V]	Rated Current [A]	Frequency [Hz]	Power factor cos ϕ	Gear reduction ratio	Propeller speed [rpm]	Propeller diameter [mm]	Axial force [kN]	Flow velocity, [m/s] *	Pumping rate Water [m ³ /min]	Weight approximate [kg]
BG2 40-180	4.0	400	9.8	50	0.72	5.25	180	700	0.85	2.0	44	395
BG2 40-250	4.0	400	9.8	50	0.72	3.83	250	620	0.95	2.2	38	395
BG2 75-280	7.5	400	13.8	50	0.87	5.25	280	700	2.00	2.6	57	395
BG2 75-380	7.5	400	13.8	50	0.87	3.83	380	520	1.35	2.9	35	395
BG2 100-280	10.0	400	21.0	50	0.82	5.25	280	750	2.30	2.9	74	395
BG2 100-380	10.0	400	21.0	50	0.82	3.83	380	580	1.80	3.4	48	395

Subject to technical changes

* measured in water and 1.2 m distance