

GIANTMIX BG2

BG2 100-280

BG2 100-380




Application

Long-axis agitator for lagoons
 Dry matter content up to 12 %
 Substrate temperature up to 70°C
 pH-values 6.5 - 8.2

Technical data

Tube length 4.0 / 5.0 m
 Foil clamp unit, Ø 750 mm in ss304 for BG2 100-380
 Sound pressure level 75 dB(A)
 Oil inspection glass for monitoring the tightness

Motor

Power: 10 kW
 400 V, 50 Hz, 1,430 rpm
 PTC thermistors 160°C as overheat protection
 Ex-Motor  II 3G Ex nA IIA T3 Gc (Ex-zone 2)

Gear

Planetary gear, helical cut, low noise
 Reduction $i = 3.83$ or 5.25
 Separate oil chamber, gear oil Blasia SX 320
 Oil change interval: 10,000 operating hours

Tube

Tube Ø 101.6 x 5.74 mm in ss304, ss316 on request
 Stub shaft Ø 50 mm with multiple idler bearings and both sided plug-connection

Propeller

3-bladed, dynamically balanced propeller



BG2 100-280	10 kW	propeller HD+ 750	280 rpm
BG2 100-380	10 kW	propeller HD+ 560	380 rpm

Galvanized, hardened steel and ss304

Bearing

2 tapered roller bearings to absorb the axial forces
 Mechanical seal SiC/SiC, independent of rotation direction
 Idler bearings in drive shaft

Ex-zone

Ex-zone 2 (outside the tank)
 and zone 1 (inside the tank)
 Classification mechanical components
  II 2G Ex h IIA T3 Gb

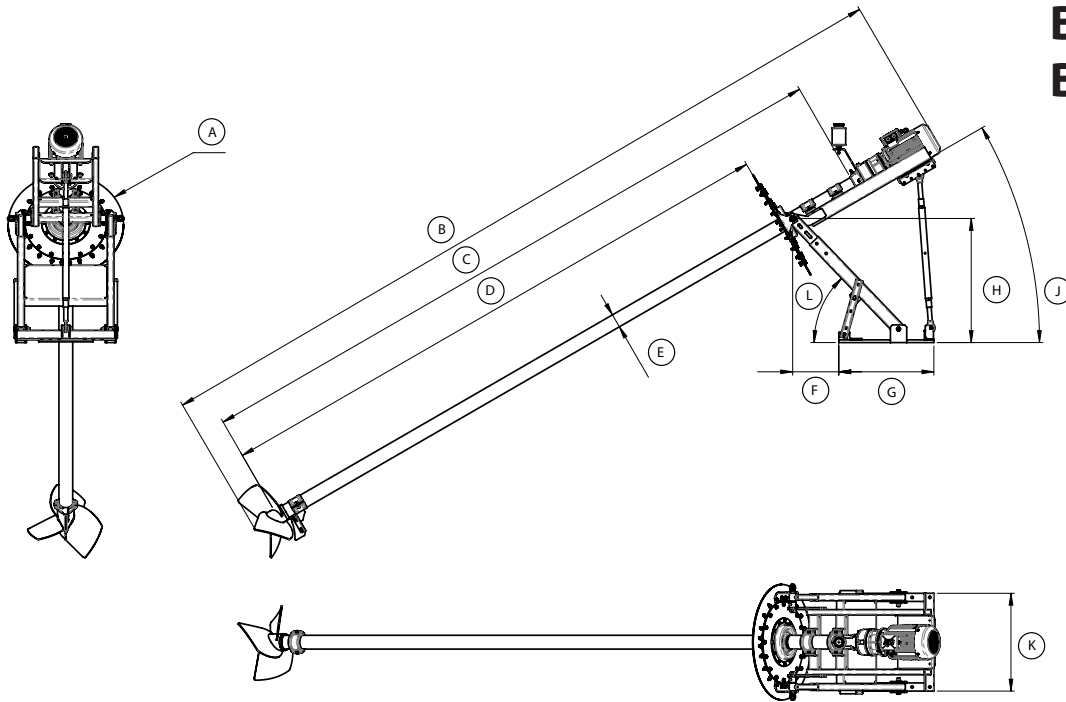
Control box (optional)

Star-delta switch, soft start or frequency converter
 Delivery without connecting cable

GIANTMIX BG2

BG2 100-280

BG2 100-380



Dimensions

Type	A [mm]	B [mm]	C [mm]	D [mm]	E [mm]	F [mm]	G [mm]	H [mm]	J [°]	K [mm]	L [°]
BG2 100-280	750	5,700	5,000	4,400	101.6	175-430	700	600 - 1,200	0° - 30°	720	30°
BG2 100-380											62°

Technical data

Type	Rated power [kW]	Rated Voltage [V]	Rated Current [A]	Frequency [Hz]	Power factor cos φ	Gear reduction ratio	Propeller speed [rpm]	Propeller diameter [mm]	Axial force [kN]	Flow velocity. [m/s] *	Pumping rate Water [m ³ /min]	Weight approximate [kg]
BG2 100-280	10	400	21.0	50	0.82	5.25	280	750	2.3	2.9	74	280
BG2 100-380	10	400	21.0	50	0.82	3.83	380	560	1.8	3.4	48	280

Subject to technical changes

* measured in water and 1.2 m distance