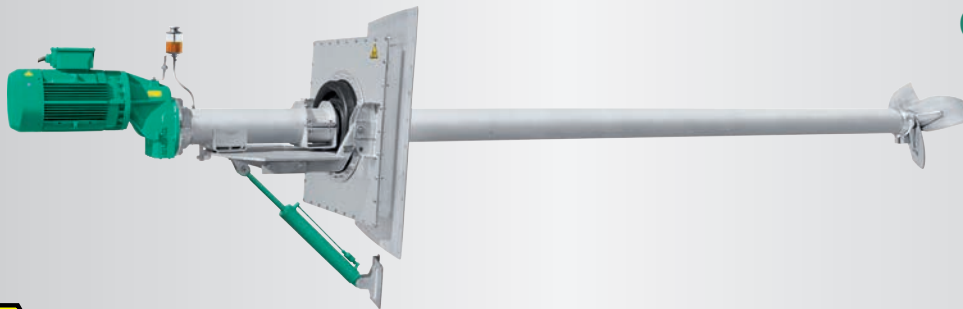


GIANTMIX AMT

AMT6 220-270

AMT7 280-275




Application

Long-axis agitator
 Dry matter content up to 14 %
 Substrate temperature up to 70°C
 pH-value 6.5 - 8.5

Technical data

Tube length 5.0 m / 6.0 m / 6.5 m
 Tube Ø 220 x 8 mm in ss316
 15°-Sealing plate 143 x 143 cm in ss316
 Sound pressure level 75 dB(A)
 Installation up to 6 m below substrate level
 Oil inspection glass for monitoring the tightness
 Agitator completely manufactured in modular design

Motor

Power: 22 / 28 kW - 4-poles
 400 V, 50 Hz, 1,475 rpm
 PTC thermistors 160°C as overheat protection
 Ex-Motor  II 3G Ex nA IIA T3 Gc

Gear

Spur gear drive, helical teeth, low noise level
 Reduction ratio $i = 5.37$
 Oil chamber, gear oil SAE 85W-140 / API GL-5
 Oil change after 2,000 operating hours

Bearing

Bearing housing with oil chamber
 2 tapered roller bearings to absorb the axial forces
 Mechanical seal SiC/SiC, independent of rotation direction
 Interim bearings for the drive shaft

Propeller

3-blade high efficiency propeller, dynamically balanced



AMT6	22.0 kW	propeller MS 780	270 rpm
AMT7	28.0 kW	propeller MS 850	275 rpm

Hardened steel or ss304

Adjustment range

Horizontal through pivoting frame $\pm 25^\circ$
 Sealing plate 15° optional right/left preset
 Vertical through hydraulic cylinder $\pm 30^\circ$
 Tank opening: 1,000 x 1,000 mm (plate 143 cm)

Ex-zone

Ex-Zone 2 (outside tank) and Zone 1 (inside tank)
 Classification mechanical   II 2G Ex h IIA T3 Gb

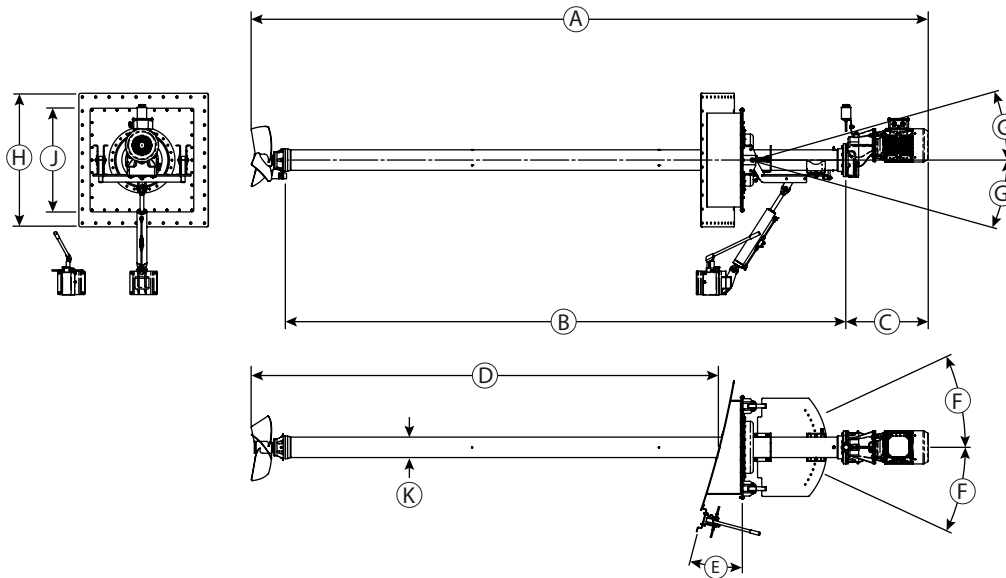
Control box (optional)

Soft start or frequency converter

GIANTMIX AMT

AMT6 220-270

AMT7 280-275



Dimensions

Typ	A [mm]	B [mm]	C [mm]	D [mm]	E [°]	F [°]	G [°]	H [mm]	J [mm]	K [mm]
AMT 6	6,265	5,000	-	3,970	-	-	-	-	-	-
AMT 7	7,765	6,500	900	5,470	15°	25°	30°	1,430 x 1,430	990 x 990	220

Technical data

Type	Rated power [kW]	Rated Voltage [V]	Rated current [A]	Frequency [Hz]	Power factor cos ϕ	Gear reduction ratio	Propeller speed [rpm]	Propeller diameter [mm]	Axial force [kN]	Flow velocity [m/s] *	Pumping rate Water [m ³ /min]	Weight approximate [kg]
AMT 6	22.0	400	40.5	50	0.84	5.37	270	780	4.1	2.9	85	1,400
AMT 7	28.0	400	52.0	50	0.85	5.37	275	850	4.2	3.3	109	1,400

Subject to technical changes

* measured in water and 1.2 m distance