



## OPTIMIX ECO 75-1450 MOBILE

### Application

Mobile submersible motor for closed manure tanks up to 3.5 m depth  
 Dry matter content up to 10 %  
 Substrate temperature up to 55°C  
 pH-value 6.5 - 8.2

### Motor

Motor power: 7.5 kW  
 400 V, 50 Hz, special tensions on request  
 Protection class IP 68, up to 10 m submergence  
 PTC thermistors 130 °C for thermal protection  
 High power factor  $\cos \phi$  0.81  
 Separat oil chamber, turbine oil

### Bearing

Bearing flange with mechanical seal of SiC/SiC  
 2 tapered roller bearings to absorb to axial forces  
 Bearing flange with separat oil chamber  
 Longlife gear oil  
 Oil change interval after 4,000 operating hours

### Control box

Star-delta-switch

### Propeller

2-blades

Optimix ECO | 7.5 kW | L3 (300 mm) | 1,450 rpm  
 Galvanized or ss304

### Trolley

Standard (970 mm) / Narrow (570 mm width)  
 Optional telescopic version for limited roof height  
 (up to max. 2,750 mm)

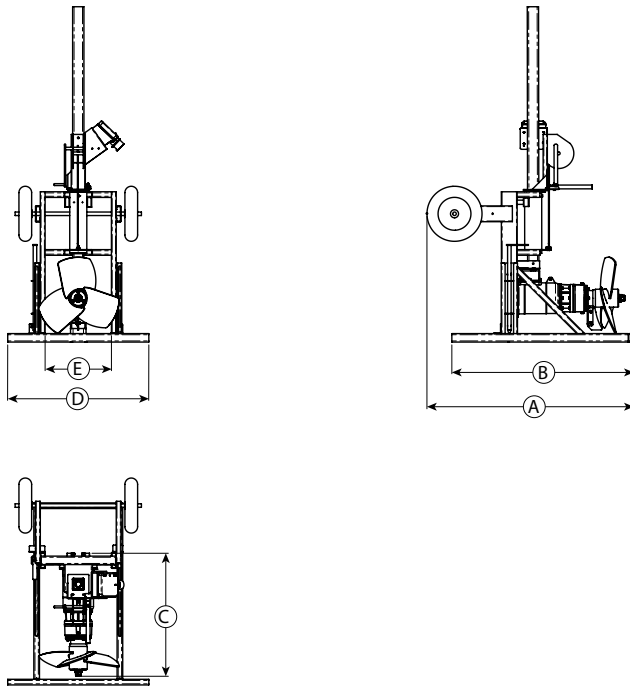
### Corrosion protection

Agitator has an two component epoxy coating

### Cable

Pressed cable gland,  
 Cable 7 x 4 + 4 x 1.5 mm<sup>2</sup>, Ø 20 mm,  
 Resistant against biomass  
 Strain relief 800 N

## OPTIMIX ECO 75-1450 MOBILE



### Dimensions / Weight

Type	A [mm]	B [mm]	C [mm]	D [mm]	E [mm]	F [mm]	Weight approx. [kg]			
ECO 75-1450	1,045	780	591	570	326	max. 2,750	195			

### Technical data

Type	Rated Power [kW]	Rated Voltage [V]	Rated Current [A]	Frequency [Hz]	Power factor cos $\phi$	Propeller speed [U/min]	Propeller diameter [mm]	Axial force [N]	Flow velocity [m/s] *	Pumping rate Water [m <sup>3</sup> /min]	Pumping rate Water [m <sup>3</sup> /min]
ECO 75-1450	7.5	400	15.4	50	0.81	1,450	300	1.15	5.7	23	1.390

Subject to technical changes

\* measured in water and 1.2 m distance