

OPTIMIX 2A 30-710



Application

Submersible motor
Dry matter content up to 8 %
Substrate temperature up to 55°C
pH-value 5.5 - 8.2 / optional ss316: pH-values 4.5 - 8.2

Motor

Motor power: 3.0 kW
400 V, 50 Hz, special tension on request
Protection class IP 68, up to 10 m submergence
PTC thermistors for overheat protection
Own oil circulation, turbine oil

Bearing

Bearing flange with mechanical seal of SiC/SiC
Two tapered roller bearings to absorb the axial forces
Shaft of ss304 / optional ss316
Bearing flange with separate oil chamber
Oil Longlife

Ex zone (tube and bearing)

Authorized for Ex-Zone 2
ATEX Classification **CE**  II 3G Ex ec h IIA T3 Gc

Propeller

3-blade high efficiency propeller, dynamically balanced
Optimix 2A | 3.0 kW | propeller LD 380 | 710 rpm
Galvanized, hardened steel, ss304 or hardened ss304

Guide mast connection

Guide mast support with 4 rollers for smooth height adjustment:
80 / 100 / 120 mm square mast
Special sizes on request

Corrosion protection

Guiding unit of ss304
Optional completely of ss316

Electric cable

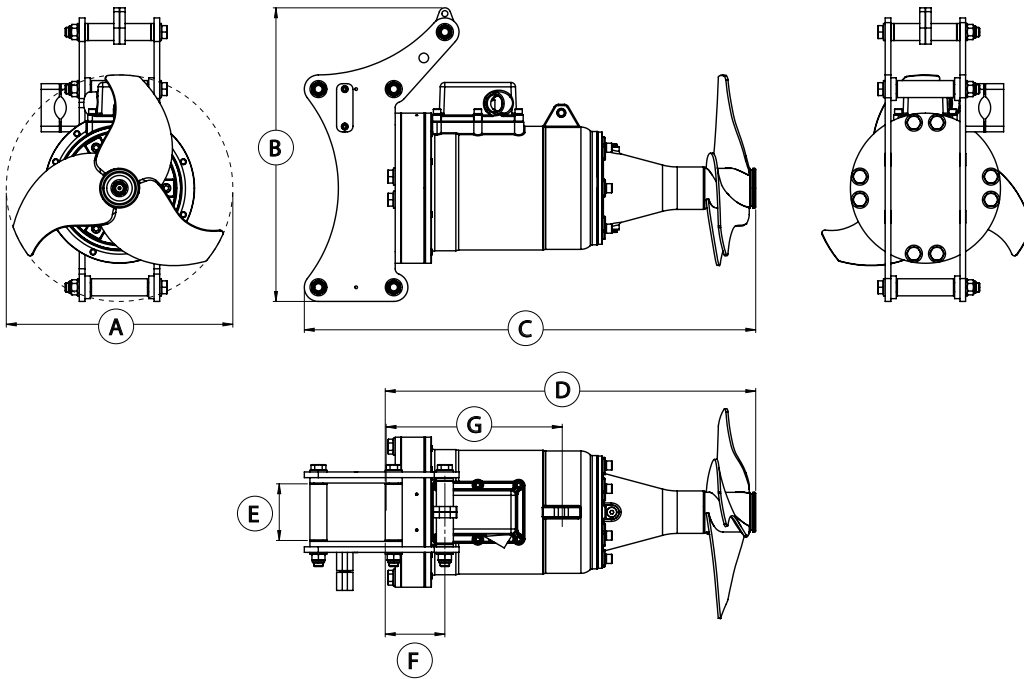
Standard length 10 m, with pressed-on cable gland
Microbe resistant cable 4 x 2,5 + 2 x 1 mm², Ø 20 mm
Strain relief 800 N

Control box

Soft start or frequency converter
Direct start*

*It is essential to observe the operating instructions!

OPTIMIX 2A 30-710



Dimensions / Weight

Type	A [Ø in mm]	B [mm]	C [mm]	D [mm]	E [mm]	F [mm]	G [mm]	Weight approx. [kg]		
2G 30-710	380	520	800	650	80 / 100 / 120	105	310	150		

Technical data

Type	Rated Power [kW]	Rated Voltage [V]	Full load current [A]	Frequency [Hz]	Power factor cos ϕ	Propeller speed [rpm]	Propeller diameter [mm]	Axial force [kN]	Flow velocity [m/s] *	Pumping rate [m ³ /min]	Pumping rate [m ³ /h]
2A 30-710	3.0	400	7.8	50	0.68	710	380	0.7	3.6	24	1.420

Subject to technical changes

* measured in water and 1.2 m distance