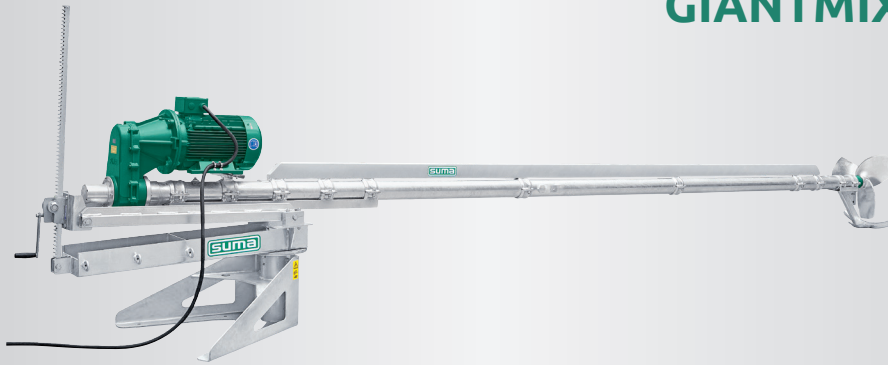


GIANTMIX MZR LAGOON

MZR4 150-400

MZR5 185-400



Application

Long-axis agitator for open lagoons

Technical data

Tube length 6.0 / 7.0 m
 Agitator tube \varnothing 121 x 4 mm, galvanized
 pH-value: 6.5 - 8.2
 Swivel device 360° horizontally
 Vertical adjustment with a robust pinion rack
 Agitator completely in modular design

Motor

Motor power: 15 / 18.5 kW : 4-poles
 400 V, 50 Hz, 1470 rpm
 PTC thermistors 160° as overheat protection

Gear

Spur gear drive, helical teeth, low noise level
 Reduction ratio $i = 3.69$
 Oil chamber, gear oil SAE85W-140 / API GL-5

Bearing

Two tapered roller bearings to absorb the axial forces
 Shaft seal ring, optional: mechanical seal of SiC/SiC
 Interim bearings for the drive shaft

Propeller

Three-blade high efficiency propeller, dynamically balanced

MZR4	15,0 kW	propeller HD+620	400 rpm
MZR5	18,5 kW	propeller HD+700	400 rpm

Galvanized, hardened steel or ss304

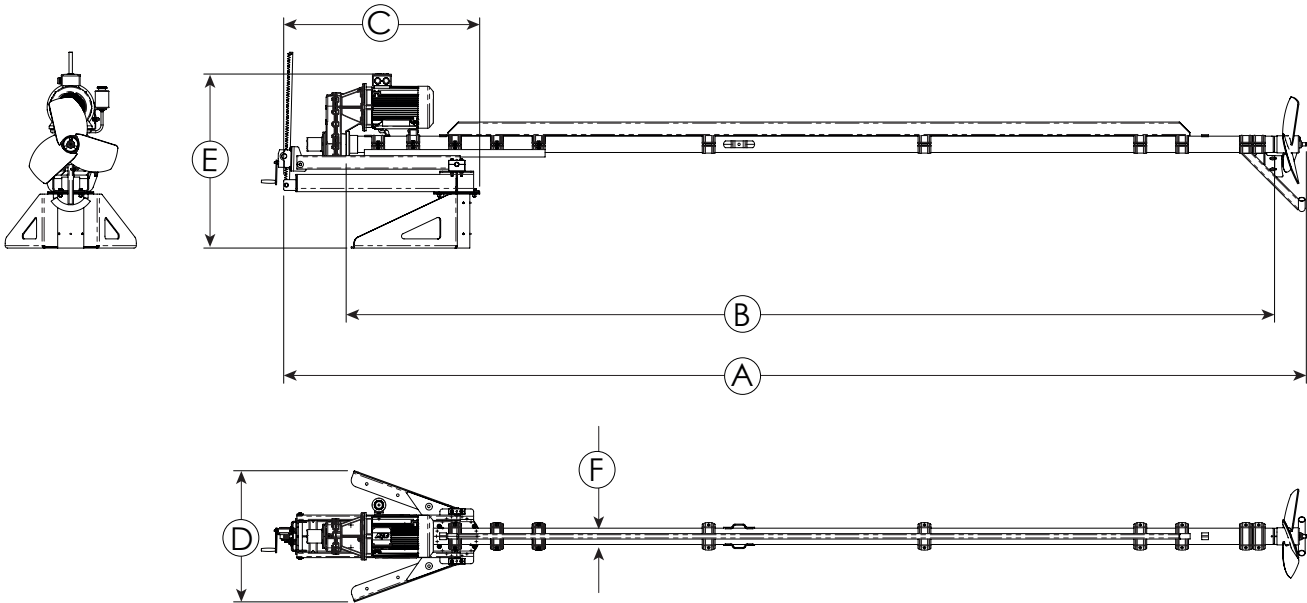
Control box (optional)

Star-delta switch or soft start

GIANTMIX MZR LAGOON

MZR4 150-400

MZR5 185-400



Dimensions

Type	A [mm]	B [mm]	C [mm]	D [mm]	E [mm]	F [mm]						
MZR 4	7,580	6,880	1,450	970	1,290	Ø 121						
MZR 5	6,580	5,880	1,450	970	1,290	Ø 121						

Technical data

Type	Rated Power [kW]	Rated Voltage [V]	Rated current [A]	Frequency [Hz]	Power factor cos ϕ	Gear reduction ratio	Propeller speed [rpm]	Propeller diameter [mm]	Axial force [kN]	Flow velocity [m/s] *	Pumping rate Water [m ³ /min]	Weight approximate [kg]
MZR 4	15.0	400	27.8	50	0.86	3.69	400	620	2.5	3.9	70	570
MZR 5	18.5	400	34	50	0.85	3.69	400	700	3.9	4.3	94	570

Subject to technical changes

* measured in water and 1.2 m distance