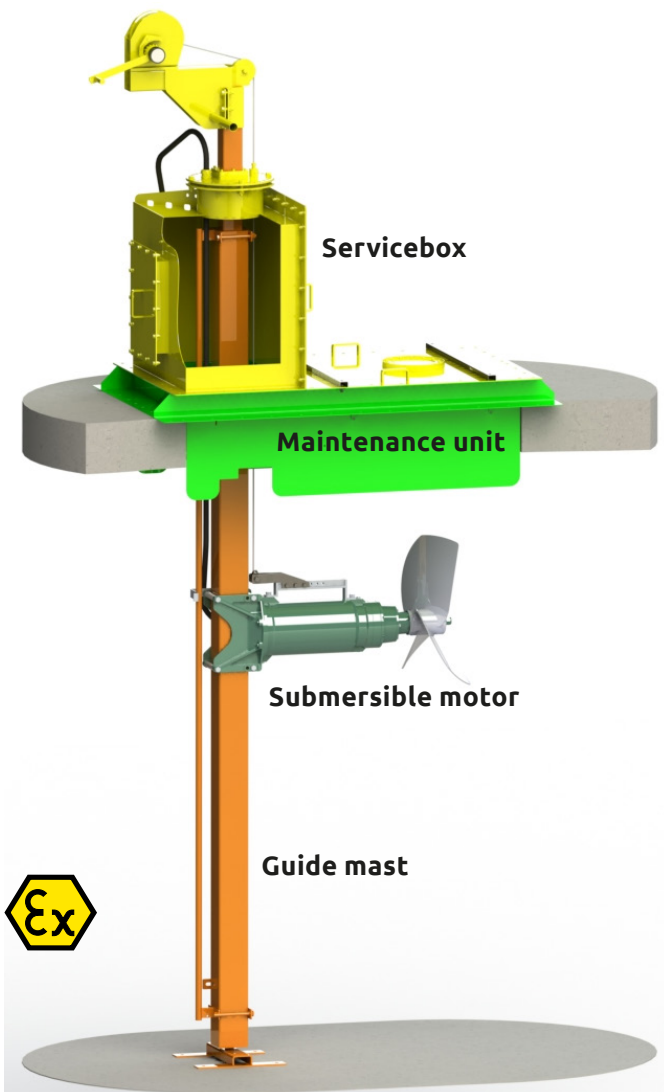




## GDD GASTIGHT CEILING LEAD THROUGH



### Maintenance position

Base frame (2.0 x 1.2 m) with maintenance flap for closing the tank (nearly gas tight)

### Application

Gas tight concrete ceiling lead through for tanks up to 14 m (Fermenter, secondary fermenter, end storage) with concrete ceiling (other heights on request)

Gas pressure 50 mbar (higher pressures on request)

For all OPTIMIX series applicable

### Service box

Mounting directly on concrete ceiling (flatness 3 mm) or on base frame of maintenance unit

Tank opening 1,700 x 900 mm (other opening sizes on request)

Sealing plate ss316 1,870 x 1,070 x 3 mm

Sight glass with wiper and flushing  $\varnothing$  300 mm

Lateral adjustment 360°

Gas tight sealing: PVC sealing package, o-rings, grease ss304-rope winch with 8 mm rope (tensile load 900 kg)

### Unit

Service box

Maintenance unit

Submersible motor

Guide mast

### Maintenance unit (Option)

Base frame 2,030 x 1,230 x 3 mm, ss316

Maintenance flap for closing the tank during service and maintenance work

Greater dimensions for bigger tank openings on request

### Guide mast with ss316-rope

Mast: 100 x 100 / 120 x 120 / 150 x 150 mm ss316

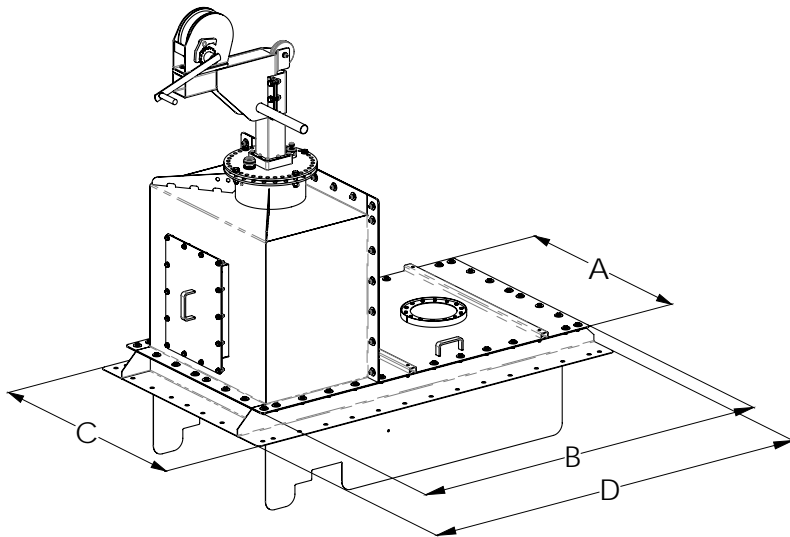
Rope and cable guide behind the mast

### Height indication

For indication of the exact agitator height in the tank.

Mounted on the rope winch and readable from the outside.

## GDD GASTIGHT CEILING LEAD THROUGH



### Dimensions

Description	A [mm]	B [mm]	C [mm]	D [mm]	Opening width [mm]	Opening length [mm]	Flatness concrete [mm]
Servicebox (sealing plate)	1,070	1,870			900	1,700	3
Option: Maintenance unit (box with cover)			1,230	2,030			

Subject to technical changes