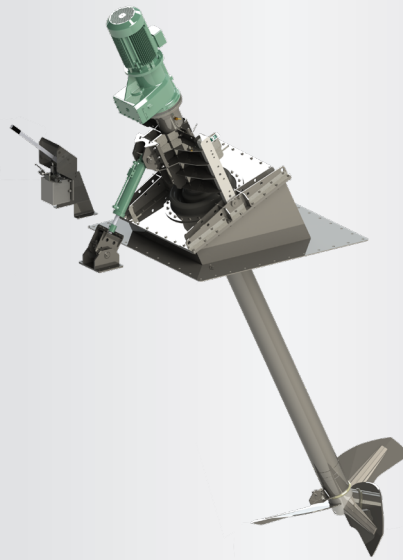


GIANTMIX AMX TOP MOUNTING

AMX4 150-80

AMX5 185-80

AMX6 220-80




Application

Dry matter content up to 16 %
Substrate temperature up to 70°C
pH-value 6.5 - 8.5

Technical data

Tube length 4.0 / 5.0 / 6.0 m
Tube Ø 220 x 8 mm in ss316
25° sealing plate in ss304 other angles as well as ss316 version on request
Sound pressure level 75 dB(A)
Damping system with special rubber on cylinder wall bracket and in hinged brackets
Oil inspection glass for monitoring the tightness
Agitator completely manufactured in modular design
POM protection to minimize abrasion

Motor

Performance IE3-Motor: 15 / 18.5 / 22 kW
400 V, 50 Hz, 1475 rpm, special tensions on request
PTC thermistors as overheat protection
Ex-Motor:  II 3G Ex nA IIA T3 Gc (ex-zone 2)

Gear

Spur gear drive, helical teeth, low noise level
Reduction ration $i = 18.0$
Longlife gear oil
Oil change after 12,000 operating hours

Bearing

Bearing housing with oil chamber
2 tapered roller bearings to absorb the axial forces
Mechanical seal SiC/SiC, independent of rotation direction
Interim slide bearings for the drive shaft

Propeller

3-blade high efficiency propeller, dynamically balanced


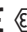
AMX4	15.0 kW	propeller XT 1600-25	82 rpm
AMX5	18.5 kW	propeller XT 1600-30	82 rpm
AMX6	22.0 kW	propeller XT 1600-35	82 rpm

ss304, ss316 or steel polymer coated

Adjustment range

Sealing plate 1,630 x 1,730 mm, 25° preset, other ranges on request
Vertical inclination through hydraulic cylinder
Tank opening (WxH): 1.2 x 1.4 m

Ex-zone

Ex-Zone 2 (outside tank) and Zone 1 (inside tank)
Classification mechanical components:
  II 2G Ex h IIA T3 Gb

Control box

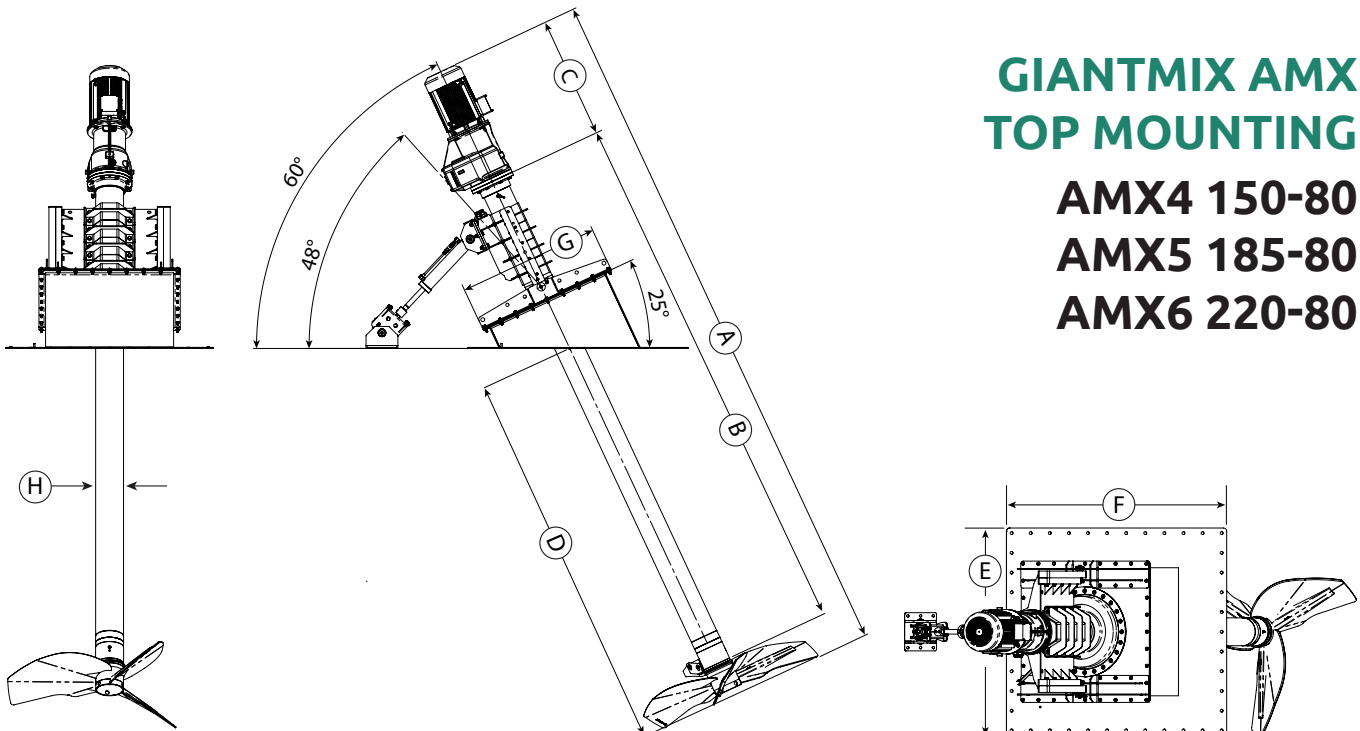
Requirement on site: Frequency converter absolutely necessary

GIANTMIX AMX TOP MOUNTING

AMX4 150-80

AMX5 185-80

AMX6 220-80



Dimensions

Type	A [mm]	B [mm]	C [mm]	D [mm]	E [mm]	F [mm]	G [mm]	H [mm]			
AMX 4 - 6	5,485 - 7,485	4,000 - 6,000	1,020	3,080 - 5,080	1,630	1,730	1,110	219.1			

Technical data

Type	Rated power [kW]	Rated Voltage [V]	Rated current [A]	Frequency [Hz]	Power factor cos ϕ	Gear reduction ratio	Propeller speed [rpm]	Propeller diameter [mm]	Axial force [kN]	Flow velocity [m/s] *	Pumping rate Water [m ³ /min]	Weight approximate [kg]
AMX 4	15.0	400	28.3	50	0.83	18	82	1,600	7.3	3.5	412	1,800
AMX 5	18.5	400	33.7	50	0.85	18	82	1,600	8.1	3.5	412	1,800
AMX 6	22.0	400	41.0	50	0.83	18	82	1,600	8.7	3.5	412	1,800

Subject to technical changes

* measured in water and 1.2 m distance