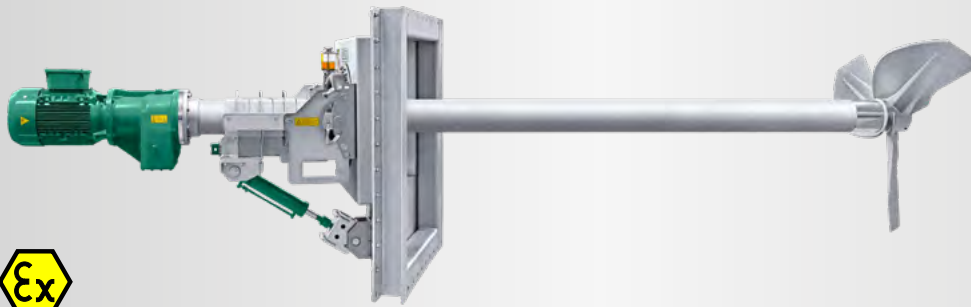


## GIANTMIX AMX

**AMX 4 150-80**

**AMX 5 185-80**

**AMX 6 220-80**



### Application

Dry matter content up to 16 %  
Substrate temperature up to 70°C  
pH-value 6.5 - 8.5

### Technical data

Tube length 4.0 / 5.0 / 6.0 m  
Tube Ø 220 x 8 mm in ss316  
25° sealing plate in ss304 other angles as well as ss316 version on request  
Sound pressure level 75 dB(A)  
Installation up to 6 m below substrate level  
Damping system with special rubber on cylinder wall bracket and in hinged brackets  
Oil inspection glas for monitoring the tightness  
Agitator completely manufactured in modular design  
POM protection to minimize abrasion

### Motor

Performance IE3-motor: 15 / 18.5 / 22 kW  
400 V, 50 Hz, 1,475 rpm, special tensions on request  
PTC thermistors as overheat protection  
Ex-Motor 3G Ex nA IIA T3 Gc (ex-zone 2)

### Gear

Spur gear drive, helical teeth, low noise level  
Reduction ratio  $i = 18.0$   
Longlife gear oil  
Oil change after 12,000 operating hours

### Bearing

Bearing housing with oil chamber  
2 tapered roller bearings to absorb the axial forces  
Mechanical seal SiC/SiC, independent of rotation direction  
Interim slide bearings for the drive shaft

### Propeller

3-blade high efficiency propeller, dynamically balanced

AMX4	15.0 kW	propeller XT 1600-25	82 rpm
AMX5	18.5 kW	propeller XT 1600-30	82 rpm
AMX6	22.0 kW	propeller XT 1600-35	82 rpm

ss304, ss316 or steel polymer coated

### Adjustment range

Sealing plate 1,430 x 1,730 mm optional right or left 25° preset, other ranges on request  
Vertical inclination through hydraulic cylinder + 5° / - 30°  
Tank opening (WxH): 1.1 x 1.4 m

### Ex-zone

Ex-Zone 2 (outside tank) and Zone 1 (inside tank)  
Classification mechanical components:  
 II 2G Ex h IIA T3 Gb

### Control box

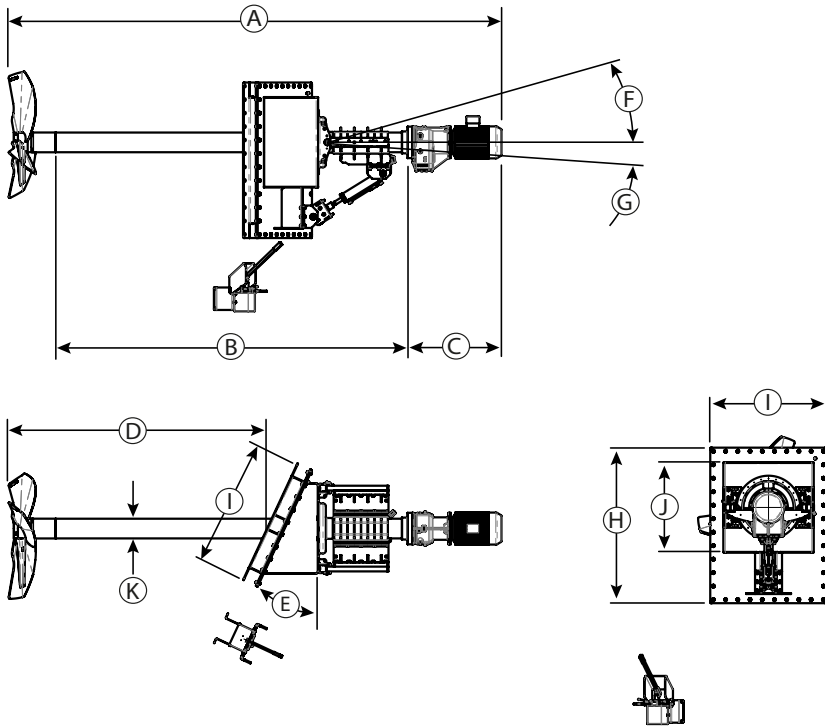
Requirement on site: Frequency converter absolutely necessary

## GIANTMIX AMX

**AMX 4 150-80**

**AMX 5 185-80**

**AMX 6 220-80**



### Dimensions

Type	A [mm]	B [mm]	C [mm]	D [mm]	E	F	G	H [mm]	I [mm]	J [mm]	K [mm]
AMX 4 - 6	5,485	4,000	1,020	3,080	25°	30°	5°	1,730	1,430	1,100	220
	-	-		-						x	
	7,485	6,000		5,080						1,100	

### Technical data

Type	Rated power [kW]	Rated Voltage [V]	Rated current [A]	Frequency [Hz]	Power factor $\cos \phi$	Gear reduction ratio	Propeller speed [rpm]	Propeller diameter [mm]	Axial force [kN]	Flow velocity [m/s] *	Pumping rate Water [m <sup>3</sup> /min]	Weight approximate [kg]
AMX 4	15.0	400	28.3	50	0.83	18	82	1,600	7.3	3.5	412	1,800
AMX 5	18.5	400	33.7	50	0.85	18	82	1,600	8.1	3.5	412	1,800
AMX 6	22.0	400	41.0	50	0.83	18	82	1,600	8.7	3.5	412	1,800

Subject to technical changes

\* measured in water and 1.2 m distance

As per: 2023-05

© SUMA Rührtechnik GmbH | Martinszeller Str. 21 | DE-87477 Sulzberg  
Phone: +49 8376 / 92131 - 0 | Fax: - 19 | info@suma.de | www.suma.de/en