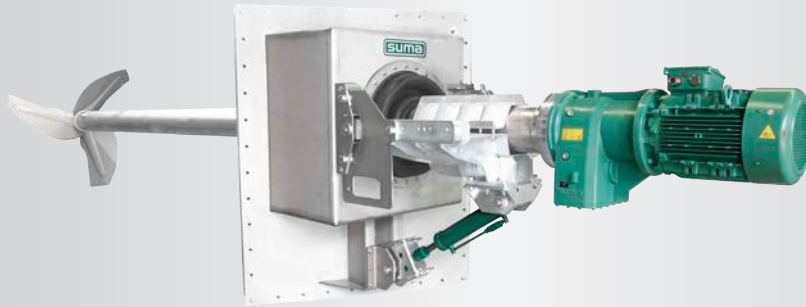


GIANTMIX AMX

AMX 4 150-80

AMX 5 185-80

AMX 6 220-80



Application

Dry matter content up to 16 %
Substrate temperature up to 70°C
pH-value 6.5 - 8.5

Technical data

Tube length 4.0 / 5.0 / 6.0 m
Tube Ø 220 x 8 mm in ss316
25° sealing plate in ss304 other angles as well as ss316 version on request
Sound pressure level 75 dB(A)
Installation up to 6 m below substrate level
Damping system with special rubber on cylinder wall bracket and in hinged brackets
Oil inspection glas for monitoring the tightness
Agitator completely manufactured in modular design
POM protection to minimize abrasion
Requirement on site:
Start Giantmix AMX with frequency converter

Motor

Performance IE3-motor: 15 / 18.5 / 22 kW
400 V, 50 Hz, 1,475 rpm, special tensions on request
PTC thermistors 160°C as overheat protection
Ex-Motor 3G Ex nA IIA T3 Gc (ex-zone 2)

Gear

Spur gear drive, helical teeth, low noise level
Reduction ration $i = 18.0$
Longlife gear oil
Oil change after 12,000 operating hours

Bearing

Bearing housing with oil chamber
2 tapered roller bearings to absorb the axial forces
Mechanical seal SiC/SiC, independent of rotation direction
Interim slide bearings for the drive shaft

Propeller

3-blade high efficiency propeller, dynamically balanced

AMX4	15,0 kW	propeller XT 1600-25	82 rpm
AMX5	18,5 kW	propeller XT 1600-30	82 rpm
AMX6	22,0 kW	propeller XT 1600-35	82 rpm

ss304, ss316 or steel polymer coated

Adjustment range

Sealing plate 1,430 x 1,730 mm optional right or left 25° preset, other ranges on request
Vertical inclination through hydraulic cylinder + 5° / - 30°
Tank opening (WxH): 1.0 x 1.4 m

Ex-zone

Ex-Zone 2 (outside tank) and Zone 1 (inside tank)
Classification mechanical components:
 II 2G ck IIA T3

Control box (optional)

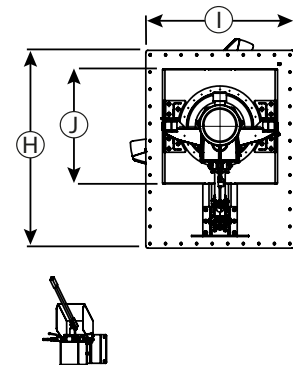
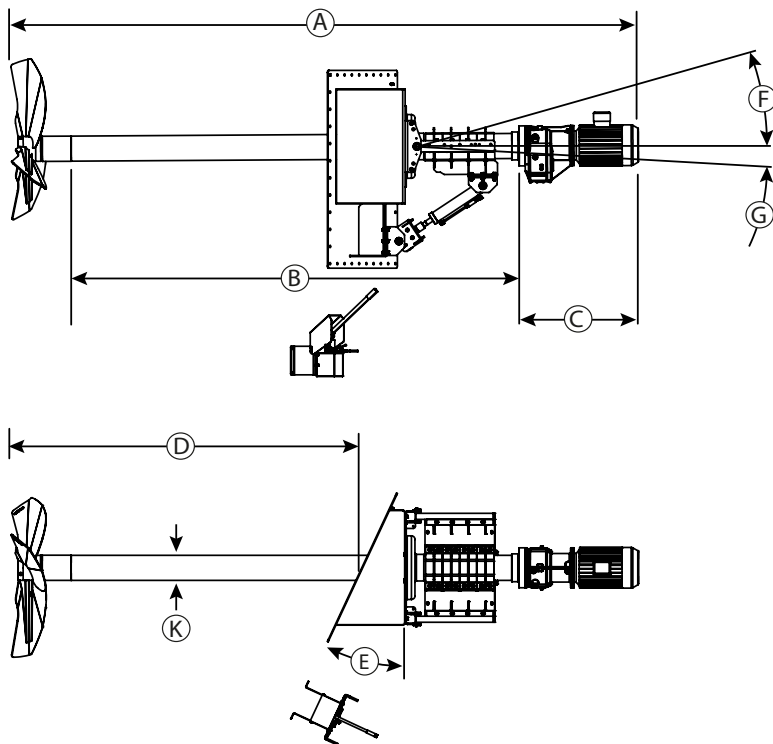
Frequency converter
Delivery with 4.0 m connecting cable

GIANTMIX AMX

AMX 4 150-80

AMX 5 185-80

AMX 6 220-80



Dimensions

Type	A [mm]	B [mm]	C [mm]	D [mm]	E	F	G	H [mm]	I [mm]	J [mm]	K [mm]
AMX 4 - 6	5,485	4,000	1,020	3,080	25°	30°	5°	1,730	1,430	1,100 x 1,100	220
	- 7,485	- 6,000		- 5,080							

Technical data

Type	Rated power [kW]	Rated Voltage [V]	Rated current [A]	Frequency [Hz]	Power factor cos φ	Gear reduction ratio	Propeller speed [rpm]	Propeller diameter [mm]	Axial force [kN]	Flow velocity [m/s] *	Pumping rate Water [m ³ /min]	Weight approximate [kg]
AMX 4	15.0	400	27.3	50	0.86	18	82	1,600	7.3	3.5	412	1,800
AMX 5	18.5	400	34.0	50	0.85	18	82	1,600	8.1	3.5	412	1,800
AMX 6	22.0	400	40.5	50	0.84	18	82	1,600	8.7	3.5	412	1,800

Subject to technical changes

* measured in water and 1.2 m distance

As per: 2019-09

© SUMA Rührtechnik GmbH | Martinszeller Str. 21 | DE-87477 Sulzberg
Phone: +49 8376 / 92131 - 0 | Fax: - 19 | info@suma.de | www.suma.de/en