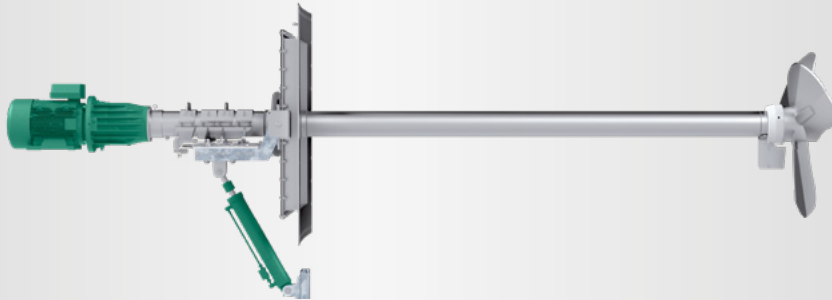


GIANTMIX FX

FX4 150-128




Application

Rod agitator
 Dry matter content up to 15 %
 Substrate temperature up to 70°C
 pH-value 6.5 - 8.5

Technical data

Tube length 4.0 m
 Agitator tube diameter Ø 159 x 8 mm in V2A
 Sealing plate 143 x 143 cm in V2A
 V4A version on request
 Sound pressure level 75 dB(A)
 Sealing membranes made of EPDM60
 Installation up to 6 m below filling level
 Agitator completely in modular design
 POM protection to reduce abrasion
 Optional: oil expansion tank for seal monitoring

Motor

15 kW, 2-pole (2,965 rpm) - IE4
 400 V, 50 Hz, special voltage on request
 PTC thermistor sensor PTC as overheating protection
 Ex motor  II 3G Ex nA IIC T3 Gc (Ex zone 2)

Gear

Robust 2-staged planetary gear,
 1st stage helical geared, low noise level
 Reduction ratio $i = 23.18$
 Longlife gear oil
 Oil change after 12,000 operating hours

Bearing

2 tapered roller bearings to absorb the axial forces
 Mechanical seal SiC/SiC, independent of rotation direction
 Interim slide bearings for the drive shaft


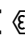
Propeller

3-blade high efficiency propeller, dynamically balanced
 FX4 150-128 | 15,0 kW | 128 rpm | propeller HT 1200
 ss304, optional ss316 or hardened steel

Adjustment range

Horizontal tilt $\pm 30^\circ$ via hand spindle
 Vertical tilt -2° to -20° via upper link,
 -2° to -30° via hydraulic cylinder
 Tank openings: 1,100 x 1,100 mm (plate 143 x 143 cm)

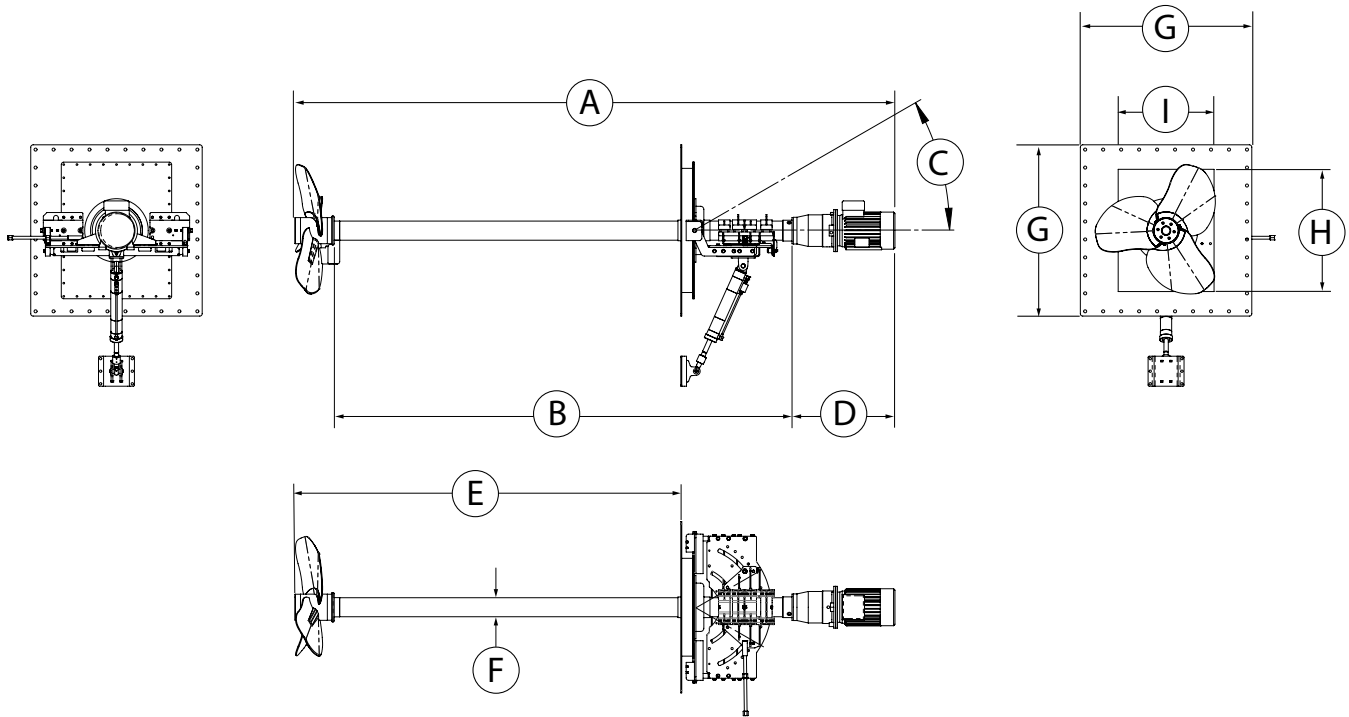
Ex-zone

Ex-Zone 2 (outside tank) and Zone 1 (inside tank)
 Classification mechanical components:
  II 2G Ex h IIA T3 Gb

Control box

Soft start or frequency converter

GIANTMIX FX FX4 150-128



Dimensions

Type	A [mm]	B [mm]	C [°]	D [mm]	E [mm]	F [mm]	G [mm]	H [mm]	I [mm]
FX4 150-128	5,000	3,853	-2 to -30/-20	862	3,180	∅ 159	1,430	1.020	800

Technical data

Type	Rated power [kW]	Rated Voltage [V]	Rated current [A]	Frequency [Hz]	Power factor cos φ	Gear reduction ratio	Propeller speed [rpm]	Propeller diameter [mm]	Axial force [kN]	Flow velocity [m/s] *	Pumping rate Water [m ³ /min]	Weight approximate [kg]
FX4 150-128	15.0	400	27.1	50	0.85	23.18	128	1,200	6.3	3.3	216	1,100

Subject to technical changes

* measured in water and 1.2 m distance

As per: 2024-11