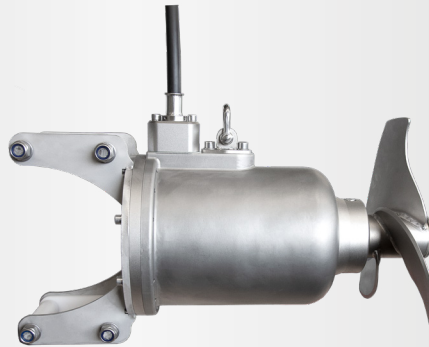


OPTIMIX

2A 8-720

2A 15-720

2A 22-720



Application

Submersible motor
 Dry matter content up to 4 %
 Substrate temperature up to 55°C
 pH-value 5.5 - 8.2

Motor

Motor power: 0.8 / 1.5 / 2.0 kW, 8-poles
 230 / 400 V, 50 Hz, special tension on request
 Protection class IP 68, up to 10 m submergence
 PTC thermistors for overheat protection
 High efficiency class
 Own oil circulation, turbine oil

Bearing

Bearing flange with mechanical seal of SiC/SiC
 Shaft of ss304
 Bearing flange with separate oil chamber
 Longlife oil
Accessory: POM protection to minimize abrasion

Ex zone

Authorized for Ex-Zone 2
 ATEX Classification **CE** **Ex** II 3G Ex ec h IIA T3 Gc

Propeller

3-blade high efficiency propeller, dynamically balanced, self-cleaning

Optimix 2A	0.8 kW	propeller LD 250 S	738 rpm
Optimix 2A	1.5 kW	propeller LD 320 S	728 rpm
Optimix 2A	2.2 kW	propeller LD 340 S	714 rpm

ss304, hardened ss304 or ss316

Guide mast connection

Guide mast support with 4 rollers for smooth height adjustment:
 60 / 80 mm square mast
 Special sizes on request

Corrosion protection

Guiding unit of ss304

Electric cable

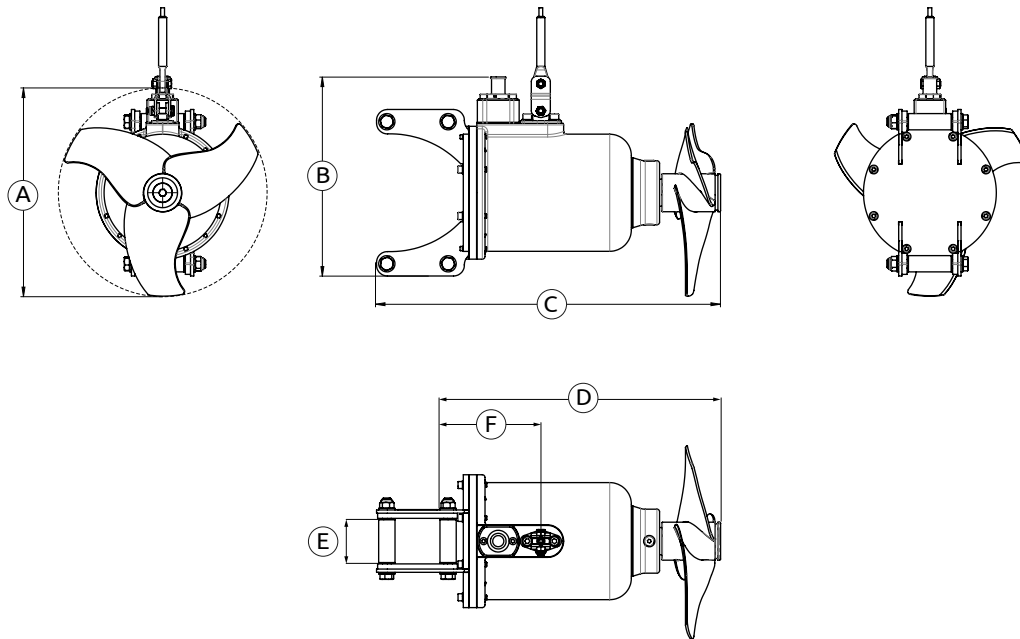
Standard length 10 m, with pressed-on cable gland
 Microbe resistant cable 4 x 2.5 + 2 x 1 mm², Ø 20 mm
 Strain relief 800 N

OPTIMIX

2A 8-720

2A 15-720

2A 22-720



Dimensions / Weight

Type	A [Ø in mm]	B [mm]	C [mm]	D [mm]	E [mm]	F [mm]	Weight approx. [kg]			
2A 8-720	250	370	635	506	60 / 80	196	75			
2A 15-720	320	370	635	506	60 / 80	196	75			
2A 22-720	380	370	635	506	60 / 80	196	75			

Technical data

Type	Rated Power [kW]	Rated Voltage [V]	Full load current [A]	Frequency [Hz]	Power factor cos φ	Propeller speed [rpm]	Propeller diameter [mm]	Axial force [kN]	Flow velocity [m/s] *	Pumping rate [m³/min]	Pumping rate [m³/h]
2A 8-720	0.8	400	3.95	50	0.37	738	250	0.24	2.55	7	420
2A 15-720	1.5	400	4.7	50	0.56	728	320	0.43	2.92	13	800
2A 22-720	2.2	400	5.9	50	0.68	714	340	0.50	3.15	16	950

Subject to technical changes

* measured in water and 1.2 m distance