

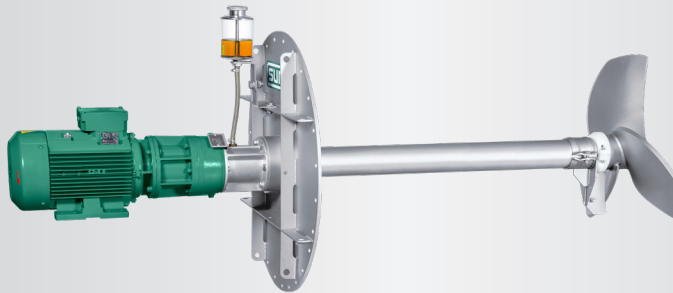
GIANTMIX FR LIGHT

FR 40-180

FR 40-250

FR 75-280

FR 75-380



Application

Long-axis agitator for small steel- or concrete tanks
 Dry matter content up to 12%
 Substrate temperature up to 70°C
 pH-values 6.5 - 8.2

Technical Data

Tube length 1.0 m / 1.5 m
 Sealing plate DN 700 (Ø860 mm),
 other dimensions on request
 Sealing plate with other angle of inclination on request
 Sound pressure 75 dB(A)
 Oil equalizing container for monitoring the tightness
 POM protection to minimize abrasion

Motor

Power: 4 kW (6-poles - 945 rpm) / 7.5 kW (1,460 rpm)
 400 V, 50 Hz
 PTC thermistors (overheat protection)
 Ex-Motor II 3G Ex nA IIC T3 Gc (Ex-Zone 2)

Gear

Planetary gear
 Reduction ratio $i = 3.83$ or 5.25
 Separate oil chamber, gear oil Blasia SX 320
 Oil change interval all 10,000 operation hours

Tube

Tube Ø 101.6 x 5.74 mm in ss304 or ss316 on request
 Plug shaft Ø 50 mm with intermediate bearings and both
 sided- plug-connections

Propeller

3-bladed, dynamically balanced propeller

FR 40-180	4.0 kW	propeller HD+ 700	180 rpm
FR 40-250	4.0 kW	propeller HD+ 620	250 rpm
FR 75-280	7.5 kW	propeller HD+ 700	280 rpm
FR 75-380	7.5 kW	propeller HD+ 520	380 rpm

ss304, optional galvanized or hardened steel

Bearing

2 tapered roller bearings to absorb the axial forces
 Mechanical seal SiC/SiC, independent of rotation direction
 Interim bearings in drive shaft

Ex-Zone

Ex-zone 2 (outside the tank)
 and zone 1 (inside the tank)
 Classification mechanical components
 II 2G Ex h IIA T3 Gb

Control Switch (optional)

Star-delta switch, soft start or frequency converter
 Delivery without connecting cable

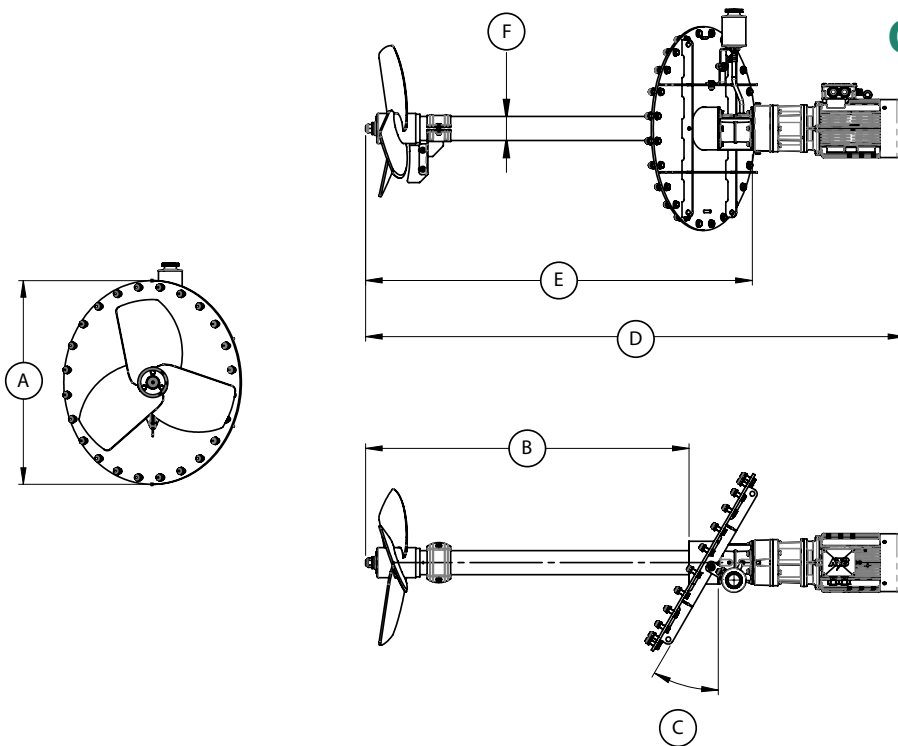
GIANTMIX FR LIGHT

FR 40-180

FR 40-250

FR 75-280

FR 75-380



Dimensions

Type	A [mm]	B [mm]	C	D [mm]	E [mm]	F [Ø in mm]
FR 40-180	860	875 / 1,375	0° / 10° / 20° / 30°	1,780 / 2,280	1,135 / 1,635	101.6
FR 40-250						
FR 75-280						
FR 75-380						

Technical Data

Type	Rated power [kW]	Rated Voltage [V]	Rated Current [A]	Frequency [Hz]	Power factor cos φ	Gear reduction ratio	Propeller speed [rpm]	Propeller diameter [mm]	Axial force [kN]	Flow velocity [m/s] *	Pumping rate Water [m³/min]	Weight approximate [kg]
FR 40-180	4.0	400	9.8	50	0.72	5.25	180	700	0.85	2.0	44	230
FR 40-250	4.0	400	9.8	50	0.72	3.83	250	620	0.95	2.2	38	230
FR 75-280	7.5	400	13.8	50	0.87	5.25	280	700	2.00	2.6	57	230
FR 75-380	7.5	400	13.8	50	0.87	3.83	380	520	1.35	2.9	35	230

Subject to technical changes

* measured in water and 1.2 m distance

As per: 2023-08

© SUMA Rührtechnik GmbH | Martinszeller Str. 21 | DE-87477 Sulzberg

Phone: +49 8376 / 92131 - 0 | Fax: - 19 | info@suma.de | www.suma.de/en