

GIANTMIX BG2 TOP

BG2 40-180

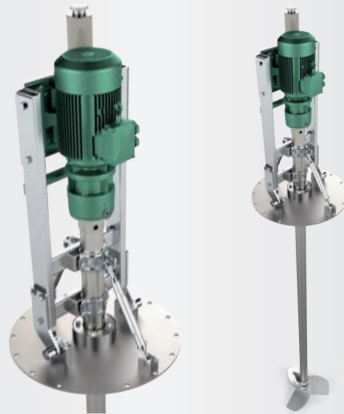
BG2 40-250

BG2 75-280

BG2 75-380

BG2 100-280

BG2 100-380



Application

Long-axis agitator for installation on top of the tank
 Dry matter content up to 12%
 Substrate temperature up to 70°C
 pH-values 6.5 - 8.2

Technical Data

Tube length 4.0 / 5.0 m
 Sealing plate DN 700 (Ø860 mm)*,
 other dimensions on request, optional rectangular plate
 Sealing plate with other angle of inclination on request
 Sound pressure 75 dB(A)
 Oil equalizing container for monitoring the tightness
 POM protection to minimize abrasion

*BG2 100-280 sealing plate DN 800 (Ø975 mm)

Motor

Power:
 4 kW (6-poles - 945 rpm) / 7.5 kW (1,460 rpm) /
 10 kW (1,430 rpm)
 400 V, 50 Hz
 PTC thermistors 160°C (overheat protection)
 Ex-Motor II 3G Ex nA IIA T3 Gc (Ex-Zone 2)

Gear

Planetary gear
 Reduction ratio $i = 3.83$ or 5.25
 Separate oil chamber, gear oil Blasias SX 320
 Oil change interval all 10,000 operation hours

Tube

Tube Ø 101.6 x 5.7 mm in ss304 or ss316 on request
 Plug shaft Ø 50 mm with intermediate bearings and both
 sided- plug-connections

Propeller

3-bladed, dynamically balanced propeller

BG2 40-180	4.0 kW	propeller HD+ 700	180 rpm
BG2 40-250	4.0 kW	propeller HD+ 620	250 rpm
BG2 75-280	7.5 kW	propeller HD+ 700	280 rpm
BG2 75-380	7.5 kW	propeller HD+ 520	380 rpm
BG2 100-280	10.0 kW	propeller HD+ 750	280 rpm
BG2 100-380	10.0 kW	propeller HD+ 580	380 rpm

ss304, optional galvanized or hardened steel

Option: Suction propeller

Bearing

2 tapered roller bearings to absorb the axial forces
 Mechanical seal SiC/SiC, independent of rotation direction
 Interim bearings in drive shaft

Ex-Zone

Ex-zone 2 (outside the tank) and zone 1 (inside the tank)
 Classification mechanical components
 II 2G Ex h IIA T3 Gb

Control Switch (optional)

Star-delta switch, soft start or frequency converter
 Delivery without connecting cable

GIANTMIX BG2 TOP

BG2 40-180

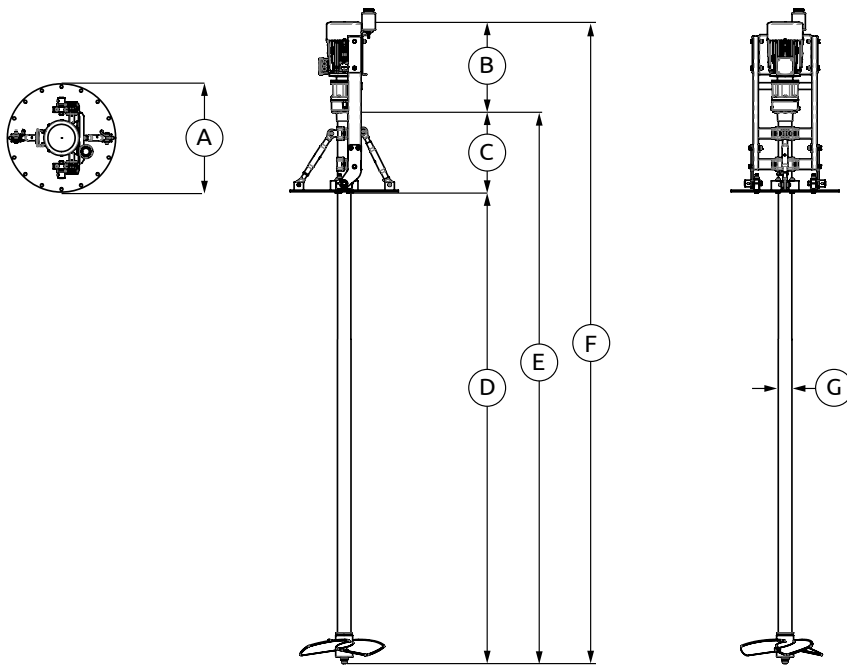
BG2 40-250

BG2 75-280

BG2 75-380

BG2 100-280

BG2 100-380



Dimensions

Type	A [mm]	B [mm]	C [mm]	D [mm]	E [mm]	F [mm]	G [Ø in mm]		
BG2	860	670	600	3,530 / 4,530	4,130 / 5,130	4,800 / 5,800	101.6		

Technical Data

Type	Rated power [kW]	Rated Voltage [V]	Rated Current [A]	Frequency [Hz]	Power factor cos ϕ	Gear reduction ratio	Propeller speed [rpm]	Propeller diameter [mm]	Axial force [kN]	Flow velocity [m/s] *	Pumping rate Water [m ³ /min]	Weight approximate [kg]
BG2 40-180	4.0	400	9.8	50	0.72	5.25	180	700	0.85	2.0	44	395
BG2 40-250	4.0	400	9.8	50	0.72	3.83	250	620	0.95	2.2	38	395
BG2 75-280	7.5	400	13.8	50	0.87	5.25	280	700	2.00	2.6	57	395
BG2 75-380	7.5	400	13.8	50	0.87	3.83	380	520	1.35	2.9	35	395
BG2 100-280	10.0	400	21.0	50	0.82	5.25	280	750	2.30	2.9	74	395
BG2 100-380	10.0	400	21.0	50	0.82	3.83	380	580	1.80	3.4	48	395

Subject to technical changes

* measured in water and 1.2 m distance

As per: 2021-10

© SUMA Rührtechnik GmbH | Martinszeller Str. 21 | DE-87477 Sulzberg

Phone: +49 8376 / 92131 - 0 | Fax: - 19 | info@suma.de | www.suma.de/en